

JOINT SEALING SYSTEM

Pyropanel Fire Snake

DESCRIPTION

Fire rated Pyropanel mineral wool encapsulated in a flexible casing.

APPLICATIONS

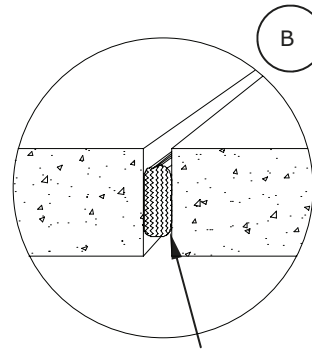
Ideal for sealing large penetrations in floors and walls, especially between the top of fire walls and underside of slabs, ceilings and roofs.

FEATURES

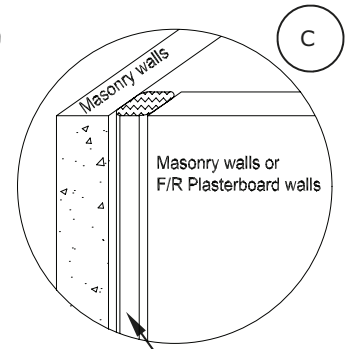
- Tested and certified to Australian Standards for 2 hour applications between top of fire rated walls and the underside of slabs, roofs and ceilings in horizontal applications with 10% compression. (See figure A)
- Tested and certified to Australian Standards for 4 hrs in horizontal floor applications with 40% compression (See figure B)
- Tested and certified to Australian Standards for 2 hours in vertical applications (between the end of a fire rated plasterboard wall and a masonry wall or between two masonry walls) with 40% compression. (See figure C)
- Available in a variety of thicknesses to fire rate gaps from 10mm to 67mm.
- Standard length is 1500mm (900mm on request)
- Custom lengths are available on request (up to max 1500mm long).
- Very cost effective and easy to install.

INSTRUCTIONS

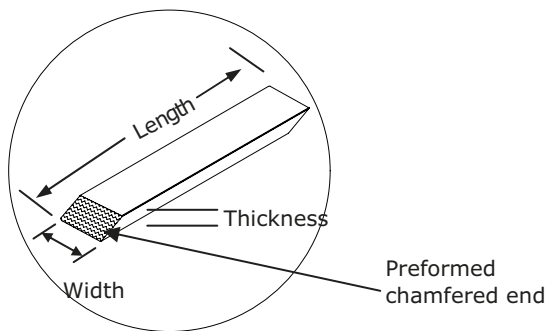
- Insert Pyropanel Fire Snake into penetration, ensuring a tight fit against all surfaces.
- Pyropanel Fire Snake must be compressed by at least 10% for gaps above walls to achieve 2hr fire protection, and by at least 40% for floor gaps & vertical joints between walls to achieve up to 4 hrs fire protection. (See table below)
- When sealing long penetrations, Fire Snakes may be overlapped using pre-formed chamfered ends, or placed tightly beside each other and overlapped by at least 50mm to maintain the fire protection barrier.
- Seal any small penetrations with Pyropanel Multiflex fire resistant sealant - ensure that all gaps are thoroughly protected.



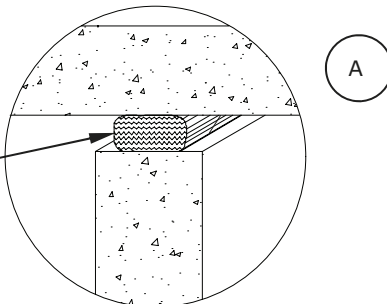
Pyropanel Fire Snake
Compressed by at least 40% (4hr)



Pyropanel Fire Snake
Compressed by at least 40%
(2hr)



Pyropanel Fire Snake
Compressed by at least 10%
(2hr)



MODELS AVAILABLE

Model	Thickness [mm]	Width [mm]	Gap range - Above walls (min 10% compression, 2hr rating) [mm]	Gap range - Floors (min 40% compression, 4hr rating) [mm]	Gap range - Vertical joint between walls (min 40% compression, 2hr rating) [mm]
			A	B	C
PSFS25-60	25	60	10-22	10-15	10-22
PSFS38-60	38	60	15-34	15-22	15-22
PSFS50-75	50	75	25-45	25-30	22-25
PSFS75-100	75	100	35-67	30-45*	N/A
PSFS100-125	100	125	N/A	40-50*	N/A

* Up to 2 hr rating and a mild steel plate or angle support needed under the Fire snake.

HOW TO SPECIFY

"Penetration to be sealed with "Pyropanel Fire Snake" and installed to manufacturers specification. Seal any small penetrations with Pyropanel Multiflex fire sealant."

Pyropanel Developments Pty Ltd
 235 Huntingdale Rd, Oakleigh, Vic 3166
 Ph: **(03) 9837 8500** Fax: (03) 9837 8550
 Email: sales@pyropanel.com.au
 Web: www.pyropanel.com.au

Distributed by: