

SEALANTS & PUTTY

Multiflex Fire Rated Acrylic Sealant

DESCRIPTION

A one-part general purpose fire resistant sealant for construction joints and the sealing of service penetrations or gaps in plasterboard or masonry wall constructions and concrete floors. When cured, Multiflex provides an elastic flexible seal which will permit 30% compression, 20% extension, and shear movement equal to 20% of the gap width.

APPLICATIONS

Multiflex sealant is an efficient and economical sealant ideally suited for joints and gaps in the building and construction industry. When combined with Pyropanel Fire Pillows or Pyropanel Fire Collars, Multiflex can be used to prevent the spread of fire and smoke through walls and floors. It is also suitable for sealing small gaps between walls and Pyropanel door frames.

- Apply on dust free surfaces.
- Do not apply if temperature is below 9°C.
- Refer to page 2-3 for tested systems.

FEATURES

- Fully certified to Australian Standards AS1530.4 and AS 4072.1 for up to 4 hours of fire rating*.
- No harmful components.
- No harmful fumes when exposed to heat. Contains an adhesion enhancer to assist in bonding to difficult surfaces.
- Prevents the passage of hot gases.
- Water resistant 7 days after application (not suitable for continuous wetting, submersion or external use).
- Easy to clean up with water after use and prior to curing.
- Paintable after 24 hours at 20°C.
- Available in:
 - o Cartridges (white or grey)
 - o Sausages (grey)
- Six month shelf life from date of purchase.
- Australian made.

INSTRUCTIONS

- Only apply to dust free surfaces.
- Do not apply if temperature is below 9° C.
- Ensure minimum width & depth of sealant as per the details in pages 2 & 3.
- See over page for examples of applications.



Multiflex cartridge & sausage

HOW TO SPECIFY

Eg, "Fire rated sealant to be Pyropanel "Multiflex" fire rated flexible acrylic sealant , installed as per manufacturers instructions"

MODELS AVAILABLE

Product code	Product	Details
PSMUTLIC	Multiflex cartridge - white	310ml
PSMULTICG	Multiflex cartridge - grey	310ml
PSMULTIS	Multiflex sausage - grey	600ml

***See pages 2, 3 for information on fire resistance of various applications**

Pyropanel Developments Pty Ltd
 235 Huntingdale Rd, Oakleigh, Vic 3166
 Ph: **(03) 9837 8500** Fax: (03) 9837 8550
 Email: **sales@pyropanel.com.au**
 Web: **www.pyropanel.com.au**

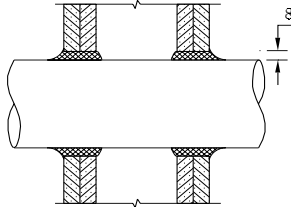
Distributed by:

Pyropanel Developments has a policy of continuous improvement and reserves the right to change methods and specifications without notice.
 Note: *The Tech Sheet is an uncontrolled document, If printed please refer to the Tech-Sheet on the website to check if this document is valid.*

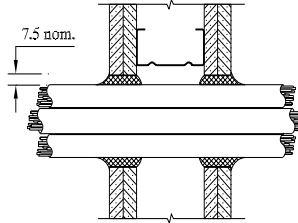
SEALANTS & PUTTY

Multiflex Fire Rated Acrylic Sealant

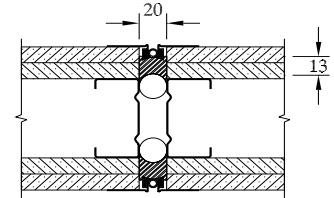
BUILDING IN DETAILS FOR FIRE RATED PLASTERBOARD WALLS



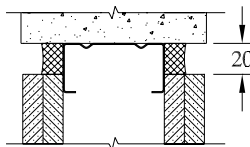
Copper or steel pipe penetrations with Max 80mm pipe diameter. Depth of sealant, up to Plasterboard lining. (up to 2 hours fire resistance#)



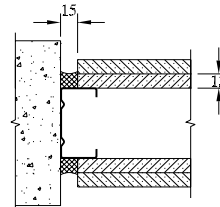
Cable penetrations, with Max 65mm diameter cable bundle. Depth of sealant, up to Plasterboard lining. (up to 2 hours fire resistance#)



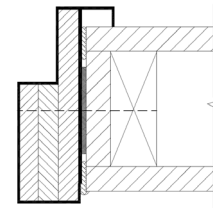
Plaster control joint (up to 2 hours fire resistance#)



Deflection head (up to 2 hours fire resistance#)

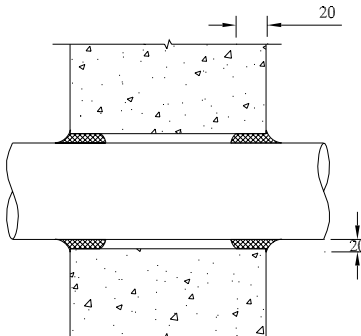


Masonry wall intersection (up to 2 hours fire resistance#)

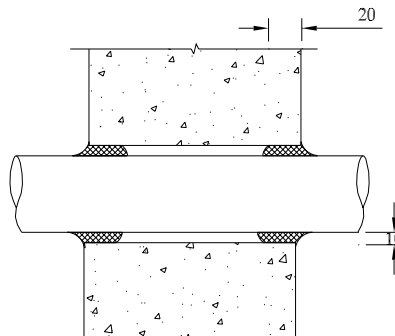


Gaps between door frame and wall intersection

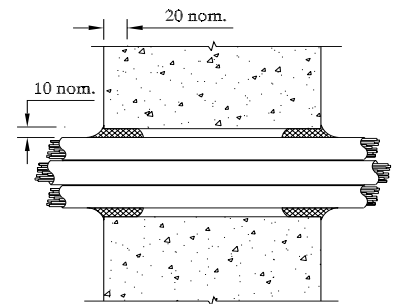
BUILDING-IN DETAILS FOR MASONRY/CONCRETE WALLS



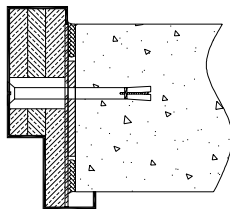
Copper or steel pipe penetrations, with Max pipe diameter 200mm nom. (up to 2 hours fire resistance#)



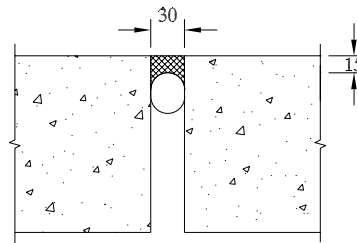
Copper or steel pipe penetrations with Max pipe diameter 80mm nom. (up to 4 hours fire resistance#)



Cable penetration with Max 65mm diameter cable bundle. (up to 2 hours fire resistance#)



Gaps between door frame and wall intersection

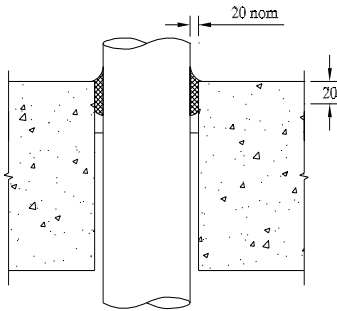


Masonry control joint (up to 4 hours fire resistance#)
 - to exposed face only -/240/180
 - to unexposed face only -/240/60
 - to both faces -/240/180

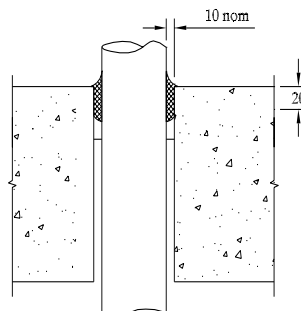
SEALANTS & PUTTY

Multiflex Fire Rated Acrylic Sealant

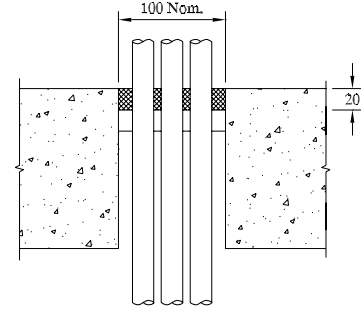
BUILDING-IN DETAILS FOR CONCRETE FLOORS



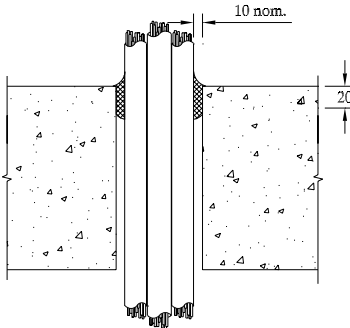
Copper or steel pipe penetrations, with Max pipe diameter 200mm nom (up to 2 hours fire resistance#)



Copper or steel pipe penetrations with Max pipe diameter 80mm nom. (up to 4 hours fire resistance#)



Multiple of copper or steel pipe penetrations, Max pipe diameter 20mm nom. and maximum 3 pipes. (up to 4 hours fire resistance#)



Cable penetration, Max 65mm diameter cable bundle (up to 4 hours fire resistance#)

#Fire resistance is limited to the FRL of wall/floor.

Insulation for cables and metal pipes penetrations is as follows:

Penetration	Insulation protection	Insulation
With cables bundles up to 65mm diameter	Radiation guard	240 minutes
	Mineral fibre 450 grade (min 50mm thick), minimum 600mm long	120 minutes
	Nothing	60 minutes
With metal pipes up to 100mm diameter	Mineral fibre 450 grade (min 50mm thick), minimum 1100mm long	120 minutes
	Nothing	0
With metal pipes up to 200mm diameter	Radiation guard	240 minutes
	Nothing	0

Notes:

For floor applications, Insulation protection installed on the upper surface of the floor.

For wal applications, Insulation protection installed on either side of the wall.

Radiation guard: 1mm nom. thick expanded steel mesh (with open area nominally 70%). Radiation guard minimum 500mm high, and minimum three times the outside diameter of the cable or metal pipe.

Pyropanel Developments Pty Ltd

235 Huntingdale Rd, Oakleigh, Vic 3166

Ph: **(03) 9837 8500** Fax: (03) 9837 8550

Email: **sales@pyropanel.com.au**

Web: **www.pyropanel.com.au**

Distributed by:

Pyropanel Developments has a policy of continuous improvement and reserves the right to change methods and specifications without notice.

Note: *The Tech Sheet is an uncontrolled document, If printed please refer to the Tech-Sheet on the website to check if this document is valid.*