

COLLARS & WRAPS

Intumescent for Armaflex-Coated Metal Pipes

DESCRIPTION

Pyropanel Intumescent has been specifically tested and approved for many uses, including sealing copper pipes that are insulated with FR Armaflex® flexible foam insulation passing through fire rated elements.

APPLICATIONS

Penetrations containing FR Armaflex®-clad copper pipes for hot, cold and air-conditioning supply through fire rated concrete/masonry walls and floors, and drywalls.

FEATURES

- Fully certified to Australian Standards AS1530.4 for up to 3 hours of fire rating.
- Intumescent effect (expands up to 7 times in a fire), slowly replacing the foam insulation and creating a solid and compacted expansion char.
- Use in Drywalls requires a steel tube (see attached instructions).
- The addition of a radiation guard will increase Insulation rating.

TEST RESULTS

Wall / floor type	Element thickness (mm)	Nominal pipe diameter (mm)	Thickness of insulation (mm)	No. of wraps along Armaflex	Layers of Intumescent per wrap	FRL
Masonry or concrete wall, or concrete floor.	140	15 or 20	9	1	1	-/90/60
Masonry or concrete wall, or concrete floor.	140	15 or 20	13	1	1	-/90/60
Masonry or concrete wall	140	25	13	1	1	-/120/117
Masonry or concrete wall	140	25	19	1	2	-/120/117
Masonry or concrete wall	140	100	25	1	3	-/120/58
Concrete floor	120	50	19	1	2	-/180/41
Concrete floor	120	75	19	1	2	-/90/31
Drywall*	140	15 or 20	9	2	1	-/90/60
Drywall*	140	15 or 20	13	2	1	-/90/90
Drywall (1hr wall)	115	50	19	2	2	-/60/44

* Minimum 2 x 13mm fire rated plasterboard each side of wall, plus extra layer of plasterboard at site of penetration extending 100mm from the pipe (3 layers total).

Note: Maximum hole size for multiple penetrations for 120 minutes Integrity = 800 x 500mm.

Maximum hole size for multiple penetrations for 90 minutes Integrity = 1200 x 500mm (0.6m² with a maximum 1200mm in one direction).

Pyropanel M4 mortar to fill voids around multiple penetrations, and to be full thickness of wall/floor.

INSTRUCTIONS

- Apply required layers of Pyropanel Intumescent as indicated in the table below and attached drawings.
- Insert into wall or floor, and seal penetration with Pyropanel Multiflex.
- If using multiple pipes through an oversized hole, install Pyropanel Intumescent around the Armaflex and backfill around all pipes with Pyropanel M4 Fire rated mortar. Keep at least 10mm separation between penetrations.

MODELS AVAILABLE

Product code & description	Details
Pyropanel Intumescent	35mm wide strips x 3mm thick (nominal)

HOW TO SPECIFY

Eg, "Seal penetration using Pyropanel fire rated Intumescent, and Pyropanel Multiflex fire rated sealant, installed as per manufacturer's instructions".

Pyropanel Developments Pty Ltd

Unit 1, 97 Lewis Rd, Wantirna South, Vic 3152

Ph: (03) 9837 8500 Fax: (03) 9837 8550

Email: sales@pyropanel.com.au

Web: www.pyropanel.com.au

Distributed by:

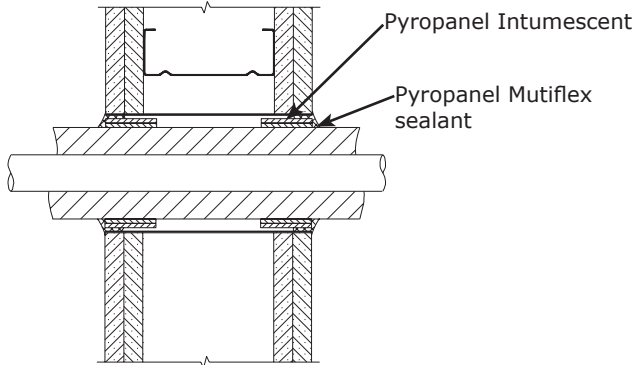
Pyropanel Developments has a policy of continuous improvement and reserves the right to change methods and specifications without notice.

Note: The Tech Sheet is an uncontrolled document, If printed please refer to the Tech-Sheet on the website to check if this document is valid.

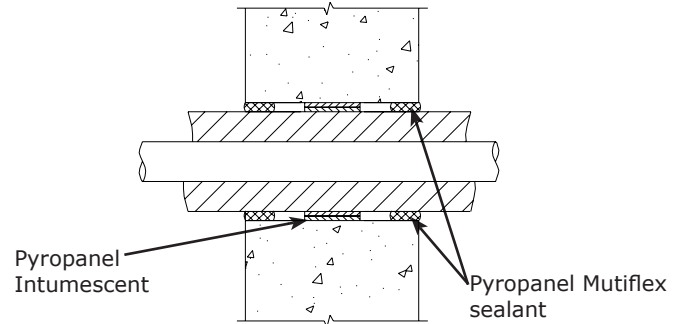
COLLARS & WRAPS

Intumescent for Armaflex-Coated Metal Pipes

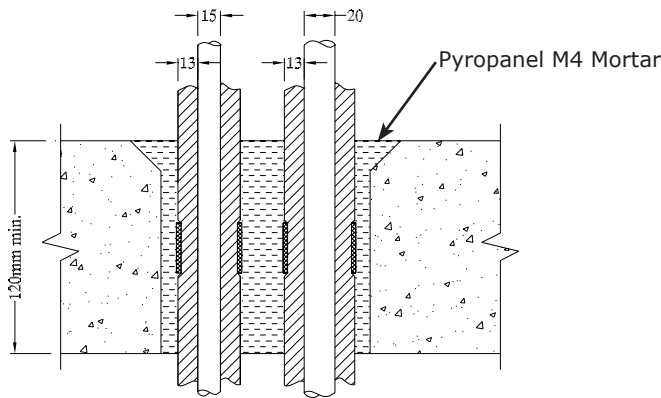
BUILDING IN DETAILS



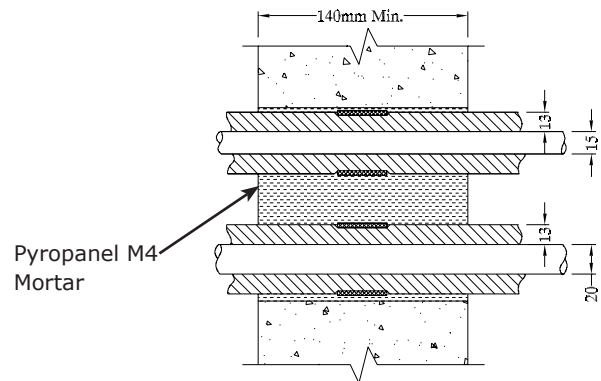
Plasterboard wall section
Two wraps inside steel sleeve.



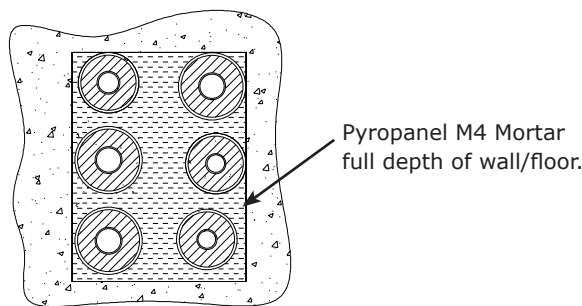
Masonry wall section
One wrap located centrally.



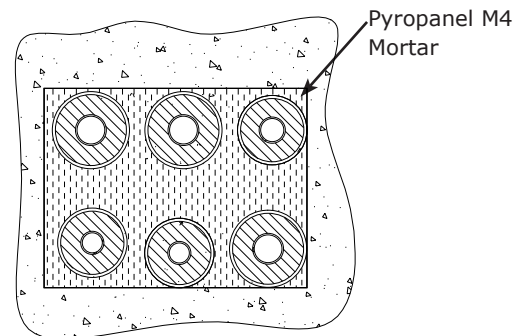
Concrete floor with oversized hole (section)
One wrap located centrally and voids backfilled with Pyropanel M4 fire rated mortar.



Concrete/masonry wall with oversized hole (section)
One wrap located centrally and voids backfilled with Pyropanel M4 fire rated mortar.



Concrete floor with oversized hole (plan)



Concrete/masonry wall with oversized hole (plan)

Note: Maximum hole size for multiple penetrations for 120 minutes Integrity = 800 x 500mm.
Maximum hole size for multiple penetrations for 90 minutes Integrity = 1200 x 500mm (0.6m² with a maximum 1200mm in one direction).
Pyropanel M4 mortar to fill voids around multiple penetrations, and to be full thickness of wall/floor.

Pyropanel Developments Pty Ltd
Unit 1, 97 Lewis Rd, Wantirna South, Vic 3152
Ph: **(03) 9837 8500** Fax: (03) 9837 8550
Email: sales@pyropanel.com.au
Web: www.pyropanel.com.au

Distributed by:

Pyropanel Developments has a policy of continuous improvement and reserves the right to change methods and specifications without notice.
Note: *The Tech Sheet is an uncontrolled document, If printed please refer to the Tech-Sheet on the website to check if this document is valid.*