

FIRE RATED ACCESS PANEL

1hr fire rated wall access panel

DESCRIPTION

Hinged or screw-fixed wall access panel suitable for installation in masonry or stud walls with a pressed metal frame or T-section frame, with a -/60/60 fire rating.

APPLICATIONS

Shops, offices, apartments and any application where access needs to be achieved through a fire rated wall.

FEATURES

- Fully insulated for 60 minutes
- MDF or ply facing available
- Suitable for masonry, concrete or plaster walls
- Screw fixed at 500mm centres on all sides, or hinged with budget locks at 500mm centres on lock side
- 48mm nom. thick
- Hot temperature smoke seals included. Medium smoke seals, and acoustic seals available (Optional)
- Standard 4 sided pressed metal door frame with 25mm doorstops available in a variety of profiles (see fire rated frame profiles), or
- T-Section frame available (screw-fix only) comprised of 2 welded 25mm x 25mm x 3mm steel angles
- Single leaf configurations only
- Recommended hinge configuration:
 - up to 2040 x 920 = 3 hinges
 - up to 2400 x 1000 = 4 hinges

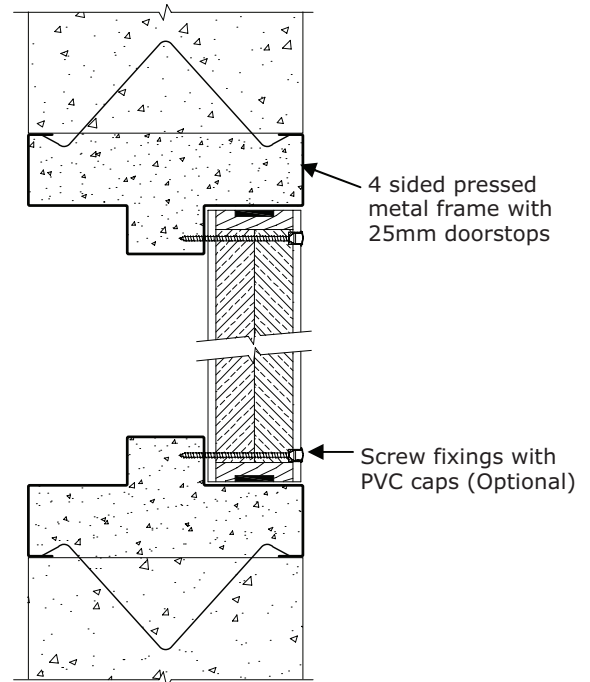
MODELS

Model	FRL	Thickness (nom.)	Max Size (mm)
PWAP-60/60	-/60/60	48mm	2400 x 1000

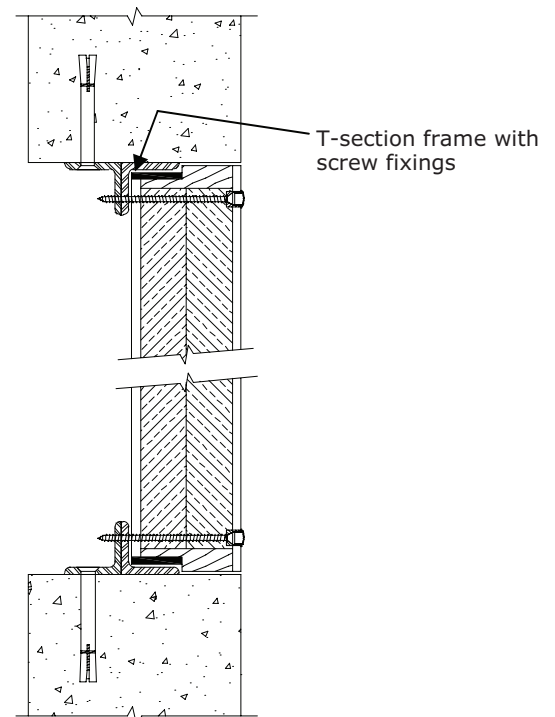
HOW TO SPECIFY

"Eg. Access panel to be a Pyropanel fire rated wall access panel PWAP-60/60, 48mm thick*, -/60/60, PLY face*, with hinges and budget locks / screw fixings*"

* denotes example - delete, change or specify as required



Wall panel with pressed metal door frame



Wall panel with T-Section frame

Pyropanel Developments Pty Ltd

235 Huntingdale Rd, Oakleigh, Vic 3166
 Ph: (03) 9837 8500 Fax: (03) 9837 8550
 Email: sales@pyropanel.com.au
 Web: www.pyropanel.com.au

Distributed by: