

LIFE SAFETY DOOR

LSD-60-C/MS/EU Fire, Smoke and Acoustic Door

DESCRIPTION

60 minute Fire Rated Life Safety Door that has been tested for fire resistance to AS1530.4, and tested for smoke leakage to AS1530.7, incorporating the Pyropanel Euroseal frame profile and high performance Cold / Medium smoke seals.

APPLICATIONS

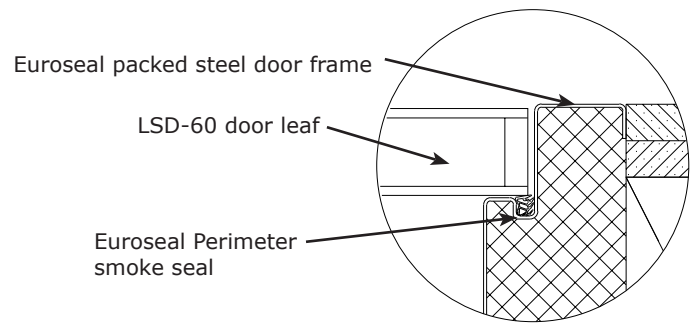
Ideal for Apartment entry doors or anywhere that requires 60 minutes of fire resistance, smoke resistance and acoustic resistance.

FEATURES

- **SMOKE RESISTANCE (SRL): COLD / MEDIUM**
- **FIRE RESISTANCE (FRL): -/60/30**
- Tested to AS1530.7 for Smoke Leakage.
- Tested to AS1530.4 for Fire Resistance.
- Some acoustically tested (packed steel or timber frame)
- Packed Euroseal Steel Frames, or Fire Rated Plantation Timber Frames
- 48mm and 38mm nom. thick, Single and Pair assemblies
- Environmentally friendly non-timber core
- Lighter than conventional 'solid-core' doors (leaf weight approximately 22kg/m² for 48mm thick door)
- Maximum size
 - Singles - 2400 x 1020mm (48mm)
 - 2040 x 820mm (38mm)
 - Pairs - 2400 x 1020mm per leaf (48mm)
- Meets the deemed to satisfy provisions for Smoke Doors found in Specification C3.4 Clause 3.2(b) of the NCC.
- All pair assemblies are smoke tested with Pyropanel J-Section meeting Stiles with integrated Cold / Medium smoke seals.

OPTIONAL EXTRAS

- MDF, Ply or Laminate facings
- Solid hardwood frames
- Steel frames
- Vision panels - 300 x 200 or 600 x 100mm.
- Kick Panels of 1mm Stainless Steel to selected height
- Non-Euroseal frame profile (see LSD-60-C/MS)
- Pre-hung assembly available
- -/- and -/30/30 models available (see LSD-0-C/MS/EU and LSD-30-C/MS/EU)



HOW TO SPECIFY

"Door to be a Pyropanel Life Safety Door LSD-60-C/MS/EU with Euroseal packed steel /Fire Rated Timber* door frames, 48mm* thick, -/60/30 FRL, MDF/Ply face*, with Euroseal, and RP38Si* bottom seal, and the following options: (eg, vision panels, kick panels, etc),"

* denotes example - delete, change or specify as required

MORE INFORMATION

For more information on the range of Pyropanel Life Safety Doors, please refer to the Life Safety Door System Guide available for download at www.pyropanel.com.au.

SEAL COMBINATIONS

Frame Details	Nominal Leaf Thickness (mm)	Cold/Medium perimeter Smoke Seal	Bottom Seal	Smoke Leakage 2040x820 single (@10Pa)	Smoke Certificate (820 single)	Rw 48/38m m
Packed steel or Fire Rated timber with Euroseal Rebate	48 or 38	Euroseal	RP38Si# (S)	<2m ³ /h	SFC40965	30 / -
Packed steel or Fire Rated timber with Euroseal Rebate	48 or 38	Euroseal	RP99Si (SM)	<2m ³ /h	SFC40966	30 / 27
Packed steel or Fire Rated timber with Euroseal Rebate	48 or 38	Euroseal	RP8Si (FM)	<2m ³ /h	SFC40964	30 / -
Packed steel or Fire Rated timber with Euroseal Rebate	48	Euroseal	IS8090Si (S)	<2m ³ /h	SFC40963	30

Note: # indicates default seal combination (supplied unless other seals specified)
 Bottom Seal Orientation: SM- Semi Morticed, FM- Fully Morticed, S- Surface Mounted

Pyropanel Developments Pty Ltd
 Unit 1, 97 Lewis Rd, Wantirna South, Vic 3152
 Ph: **(03) 9837 8500** Fax: (03) 9837 8550
 Email: sales@pyropanel.com.au
 Web: www.pyropanel.com.au

Distributed by:

Pyropanel Developments has a policy of continuous improvement and reserves the right to change methods and specifications without notice.
 Note: The Tech Sheet is an uncontrolled document, If printed please refer to the Tech-Sheet on the website to check if this document is valid.