

**LSD-30-C/M/HS/EU Fire, Smoke and Acoustic Door**
**DESCRIPTION**

30 minute Fire Rated Life Safety Door that has been tested for fire resistance to AS1530.4, and tested for smoke leakage to AS1530.7, incorporating the Pyropanel Euroseal frame profile and high performance Cold / Medium smoke seals, & intumescent Hot smoke seal.

**APPLICATIONS**

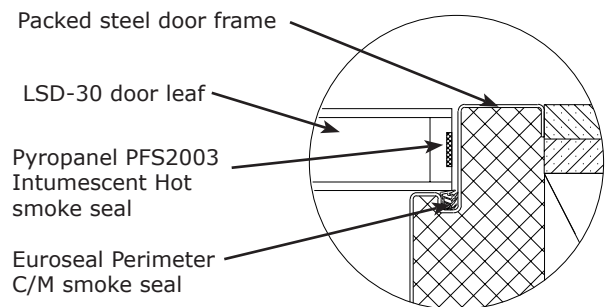
Ideal for Apartment entry doors or anywhere that requires 30 minutes of fire resistance, smoke resistance and acoustic resistance.

**FEATURES**

- **SMOKE RESISTANCE (SRL): COLD / MEDIUM / HOT**
- **FIRE RESISTANCE (FRL): -/30/30**
- Tested to AS1530.7 for Smoke Leakage.
- Tested to AS1530.4 for Fire Resistance.
- Some acoustically tested (Packed steel or timber frame)
- Packed Euroseal Steel Frames, or Fire Rated Plantation Timber Frames.
- 48mm and 38mm nom. thick, Single and Pair assemblies
- Environmentally friendly non-timber core.
- Lighter than conventional 'solid-core' doors (leaf weight approximately 22kg/m<sup>2</sup> for 48mm thick door)
- Maximum size
  - Singles - 2400 x 1020mm (48mm)
  - 2040 x 820mm (38mm)
  - Pairs - 2400 x 1020mm per leaf (48mm)
- Meets the deemed to satisfy provisions for Smoke Doors found in Specification C3.4 Clause 3.2(b) of the NCC
- All pair assemblies are smoke tested with Pyropanel J-Section meeting stiles with integrated Cold / Medium smoke seals.

**OPTIONAL EXTRAS**

- MDF, Ply or Laminate facings
- Solid hardwood frames
- Vision panels - 300 x 200 or 600 x 100mm nom.
- Kick Panels of 1mm Stainless Steel to selected height
- Non-Euroseal frame profile (see LSD-30-C/M/HS)
- Pre-hung assembly available
- -/60/30 models available (see LSD-60-C/M/HS/EU)


**HOW TO SPECIFY**

"Door to be a Pyropanel Life Safety Door LSD-30-C/M/HS/EU with Euroseal Packed steel/Fire Rated Timber\* door frames, 48mm\* thick, -/30/30 FRL, MDF/Ply face\*, with Euroseal, RP38Si\* and PFS2003 smoke seals, and the following options: (eg, vision panels, kick panels, etc),"

\* denotes example - delete, change or specify as required

**MORE INFORMATION**

For more information on the range of Pyropanel Life Safety Doors, please refer to the Life Safety Door System Guide available for download at [www.pyropanel.com.au](http://www.pyropanel.com.au).

**SEAL COMBINATIONS**

Frame Details	Nominal Leaf Thickness (mm)	Cold/Medium perimeter Smoke Seal	Hot smoke seal	Bottom Seal	Smoke Leakage (@10Pa) (2040x820 single)	Smoke Certificate (820 single)	Rw 48mm/38mm
Packed steel or Fire Rated timber with Euroseal Rebate	48 or 38	Euroseal*	PFS2003	RP38Si# (S)	<2m <sup>3</sup> /h	SFC40965	30 / -
Packed steel or Fire Rated timber with Euroseal Rebate	48 or 38	Euroseal	PFS2003	RP99Si (SM)	<2m <sup>3</sup> /h	SFC40966	30 / 27
Packed steel or Fire Rated timber with Euroseal Rebate	48 or 38	Euroseal	PFS2003	RP8Si (FM)	<2m <sup>3</sup> /h	SFC40964	30 / -
Packed steel or Fire Rated timber with Euroseal Rebate	48	Euroseal	PFS2003	IS8090Si (S)	<2m <sup>3</sup> /h	SFC40963	30

Note: # indicates default seal combination (supplied unless other seals specified)  
 Bottom Seal Orientation: SM- Semi Morticed, FM- Fully Morticed, S- Surface Mounted

**Pyropanel Developments Pty Ltd**  
 Unit 1, 97 Lewis Rd, Wantirna South, Vic 3152  
 Ph: **(03) 9837 8500** Fax: (03) 9837 8550  
 Email: [sales@pyropanel.com.au](mailto:sales@pyropanel.com.au)  
 Web: [www.pyropanel.com.au](http://www.pyropanel.com.au)

**Distributed by:**

Pyropanel Developments has a policy of continuous improvement and reserves the right to change methods and specifications without notice.  
 Note: The Tech Sheet is an uncontrolled document, If printed please refer to the Tech-Sheet on the website to check if this document is valid.