

# FIRE RATED GLAZING

## Pyrostop -/60/60 and -/60/30 fire window

### DESCRIPTION

Insulated steel framed fire rated window providing one hour of integrity and insulation protection with perfectly clear Pilkington Pyrostop™ insulating glass, this system is a great solution for applications requiring certified fire resistance for both integrity and insulation and the added safety benefit of radiation protection.

### APPLICATIONS

Fire escapes, smoke lobbies, computer rooms, car parks and factories, boundary walls, domestic houses or wherever there is a need for integrity and insulation protection, with the need to protect the building and occupants against the spread of fire due to radiant heat transmission.

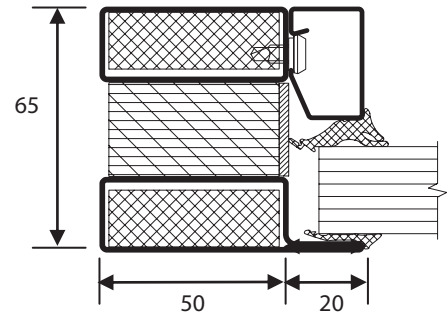
### FEATURES

- Fully certified to Australian Standards AS1530.4
- -/60/60 FRL using 23mm Pilkington Pyrostop™ for internal applications, and 27mm for external applications
- -/60/30 FRL using 18mm Pilkington Pyrostop™ for both internal and external applications
- Reduces radiant heat transmission by 98%
- Internal and External applications
- Light transmission comparable to 5mm float glass
- Forster® Fuego Light triple insulated framing system
- Class A impact rated to AS2208
- Multi pane systems available using mullion and transom
- Arched windows
- Can be integrated into steel framed -/60/30 glass fire doors (*Refer metal glass fire door tech sheet FD-06 for more information*)
- Standard finish is Prime Painted, ready for undercoating and top coat
- Adjacent wall constructions including continuous screens, lightweight plasterboard walls and masonry walls

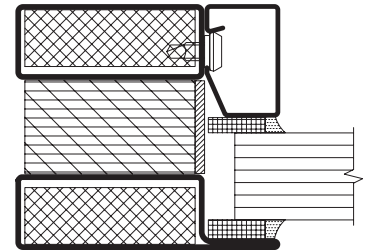
### OPTIONAL EXTRAS

- Stainless Steel frames
- Powdercoating

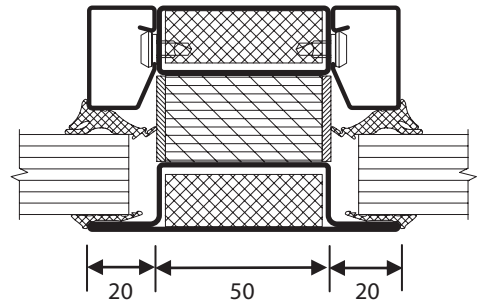
### PROFILES



**Standard profile with rubber beading (internal application)**



**Standard profile with silicone beading (internal or external application)**



**Standard mullion and transom profile**

### MODELS AVAILABLE

| Model        | FRL     | Glass Thickness | Max pane size        |
|--------------|---------|-----------------|----------------------|
| PFWS-PS60/60 | -/60/60 | 23 or 27mm      | 2865 (h) x 1465mm(w) |
| PFWS-PS60/30 | -/60/30 | 18mm            | 2830 (h) x 1320mm(w) |

### HOW TO SPECIFY

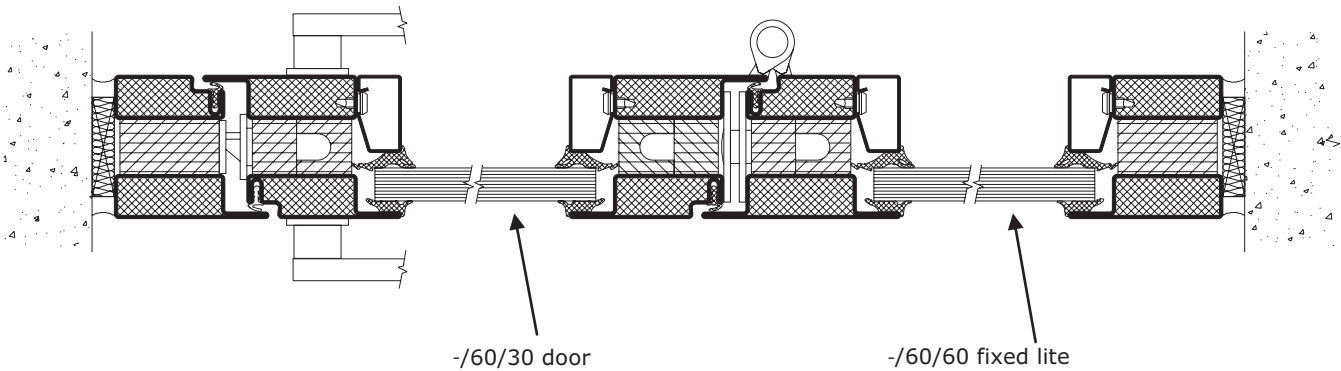
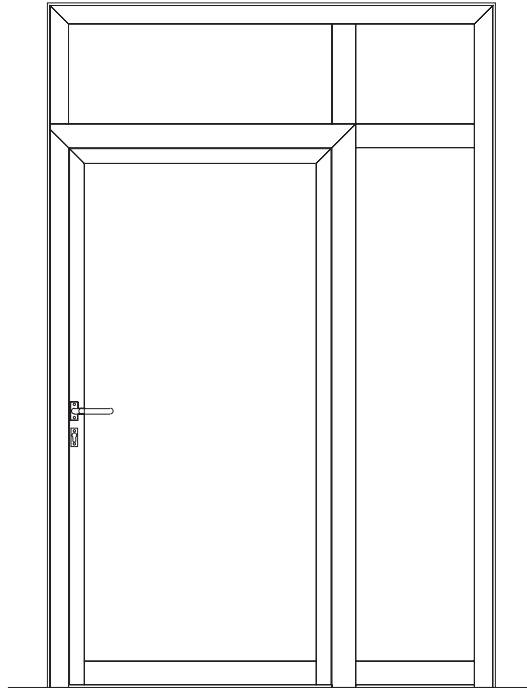
Eg, "Window to be Pyropanel Fire Window PFWS-PS60/60 , -/60/60 FRL, incorporating Forster steel frame and 23mm / 27mm\* Pilkington Pyrostop™ glass, with rubber beading / silicone weather seal\*. System available from Pyropanel Developments"

\* denotes example - delete, change or specify as required

# FIRE RATED GLAZING

## Pyrostop -/60/60 and -/60/30 fire window

### TYPICAL FIXED LITE / DOOR ASSEMBLY



-/60/30 door

-/60/60 fixed lite

### GLASS DATA

| Product   | Nominal Thickness (mm) | Application         | Integrity (mins) | Insulation (mins) | Sound Reduction** (db) | Light transmission % | U-Value (W/m <sup>2</sup> k) | Approx weight of glass (kg/m <sup>2</sup> ) | Approx weight of glass and frame (kg/m <sup>2</sup> ) |
|-----------|------------------------|---------------------|------------------|-------------------|------------------------|----------------------|------------------------------|---------------------------------------------|-------------------------------------------------------|
| Pyrostop™ | 18                     | Internal / External | 60               | 30                | 38                     | 85                   | 5                            | 42                                          | 55                                                    |
| Pyrostop™ | 23                     | Internal            | 60               | 60                | 40                     | 88                   | 5                            | 55                                          | 68                                                    |
| Pyrostop™ | 27                     | Internal / External | 60               | 60                | 41                     | 86                   | 4.8                          | 63                                          | 76                                                    |

#### Pyropanel Developments Pty Ltd

235 Huntingdale Rd, Oakleigh, Vic 3166

 Ph: **(03) 9837 8500** Fax: (03) 9837 8550

 Email: [sales@pyropanel.com.au](mailto:sales@pyropanel.com.au)

 Web: [www.pyropanel.com.au](http://www.pyropanel.com.au)

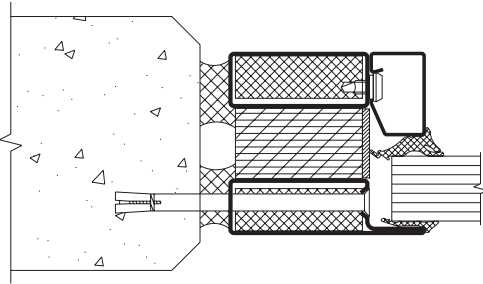
#### Distributed by:

Pyropanel Developments has a policy of continuous improvement and reserves the right to change methods and specifications without notice.  
 Note: *The Tech Sheet is an uncontrolled document, If printed please refer to the Tech-Sheet on the website to check if this document is valid.*

# FIRE RATED GLAZING

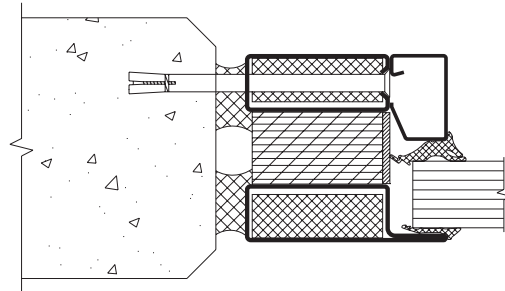
## Pyrostop -/60/60 and -/60/30 fire

### WALL ABUTMENTS AND BUILDING IN DETAILS



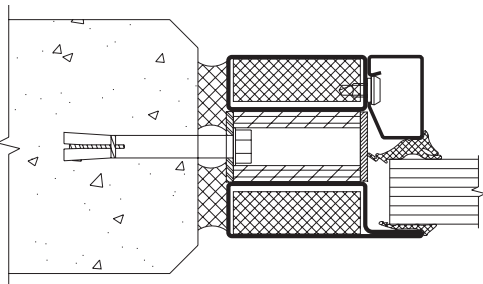
**Fixing type FTFL01**

M6 Flat head Dynabolt into masonry wall at max 600mm centers. Can only be used for site glazed applications. Fixings to 3 sides minimum.



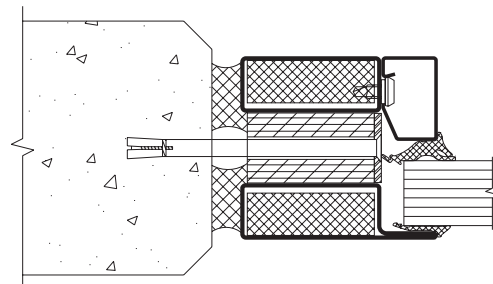
**Fixing type FTFL02**

M6 Flat head Dynabolt into masonry wall at max 600mm centers. Can only be used for site glazed applications. Fixings to 3 sides minimum.



**Fixing type FTFL03**

M6 Flat head Dynabolt into masonry wall at max 600mm centers. Can only be used for site glazed applications. Fixings to 3 sides minimum.



**Fixing type FTFL04**

M6 Flat head Dynabolt into masonry wall at max 600mm centers. Can only be used for site glazed applications. Fixings to 3 sides minimum.