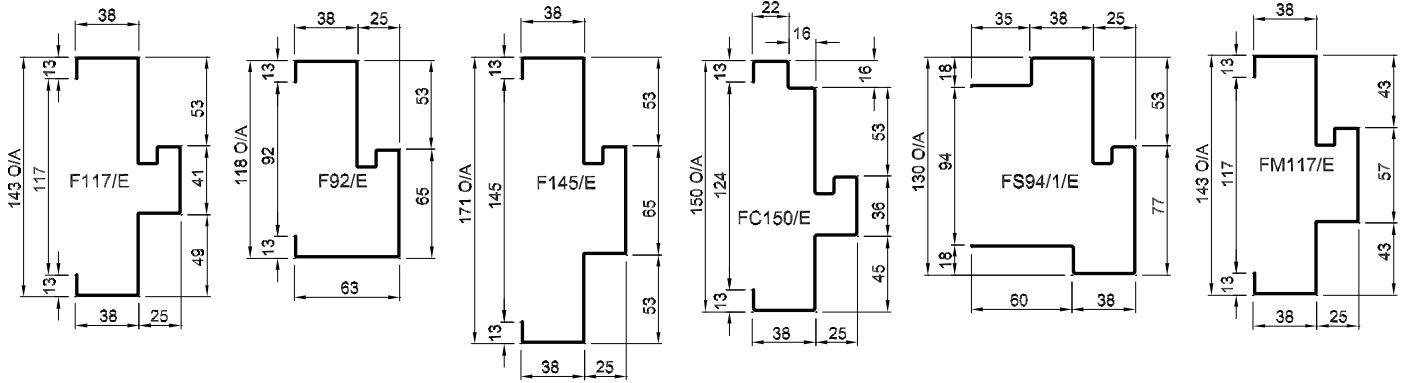


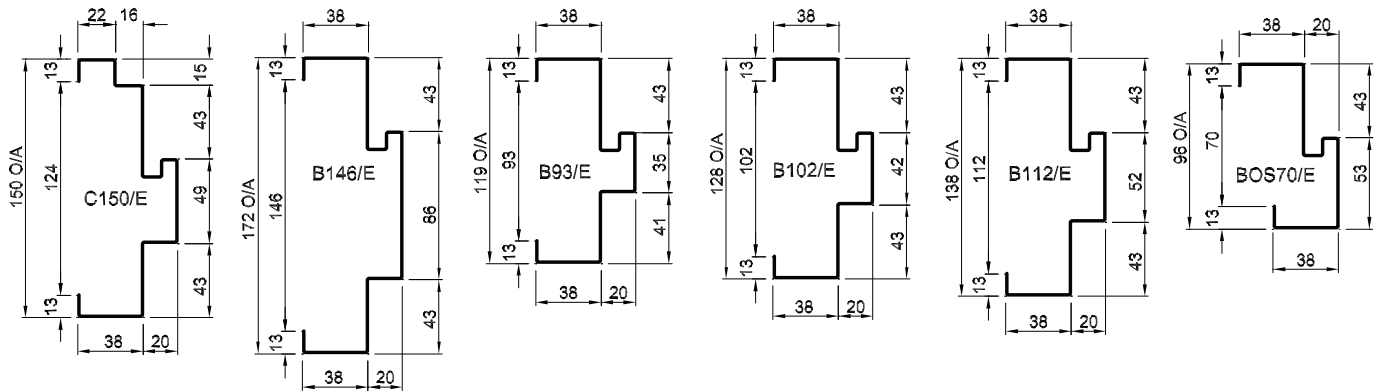
# FRAME PROFILES

## Euroseal® Fire Rated Frames

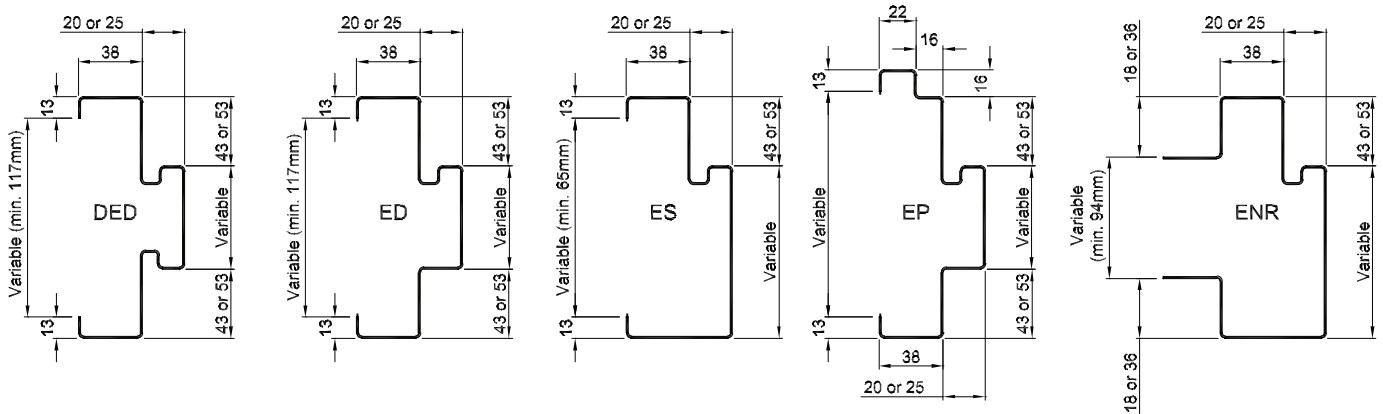
### Fire Rated Euroseal frame profiles



### Non-Fire Rated Euroseal frame profiles



### Special Euroseal frame profiles



**Note:** When installed with appropriate door leaf, frames are fire rated up to 4 hours in masonry walls, and 2 hours in dry wall. Custom frame profiles available on request. Frames are typically 1.2-1.6 zincaneal unless otherwise requested.

### HOW TO SPECIFY

"Door frame to be a Pyropanel F117/E\* Euroseal Prime painted pressed metal door frame. Builder to confirm door frame applicability".

\* denotes example - delete, change or specify as required

### Pyropanel Developments Pty Ltd

235 Huntingdale Rd, Oakleigh, Vic 3166  
 Ph: **(03) 9837 8500** Fax: (03) 9837 8550  
 Email: [sales@pyropanel.com.au](mailto:sales@pyropanel.com.au)  
 Web: [www.pyropanel.com.au](http://www.pyropanel.com.au)

### Distributed by: