

# BUILDING IN DETAILS

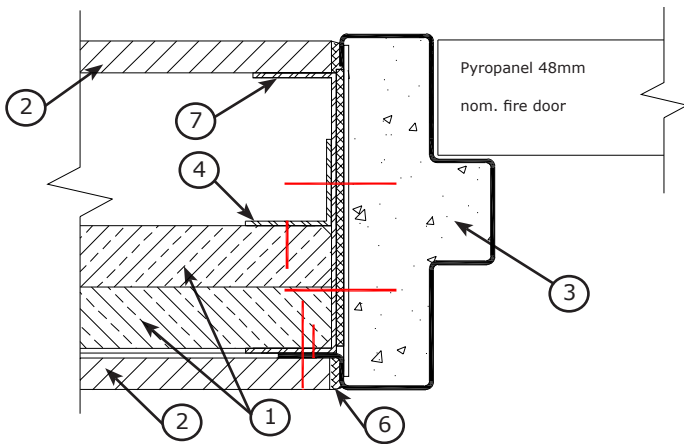
## Boral IntRwall Shaftliner walls

### DESCRIPTION

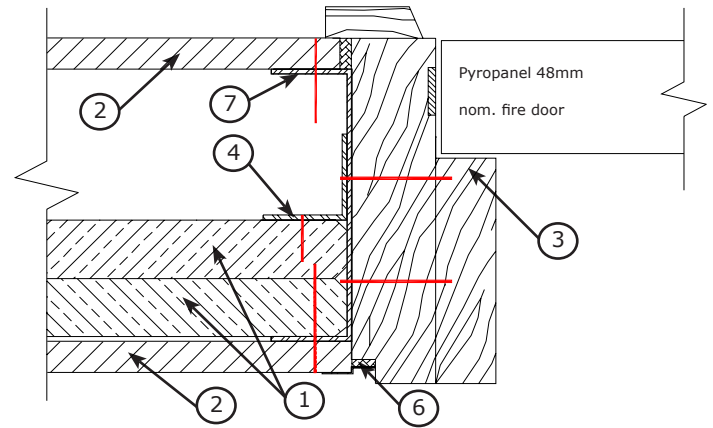
Building-in details showing the approved fixing methods for Boral IntRwall shaftliner wall systems for up to 2 hours of fire rating.

### REQUIREMENTS

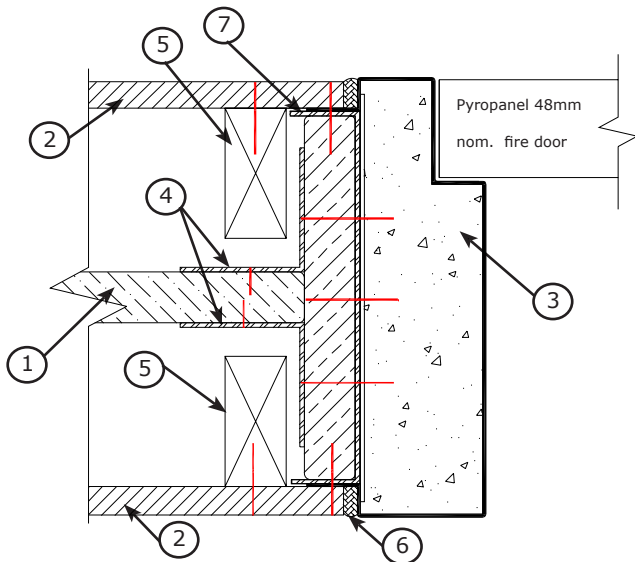
- Back-filling with Pyropanel light weight M4 Mortar.
- Pyropanel 48mm nom. thick fire door.
- Fixings to be at max. 450mm centres.
- Ensure all gaps are tightly filled with Pyropanel Multiflex fire rated sealant.



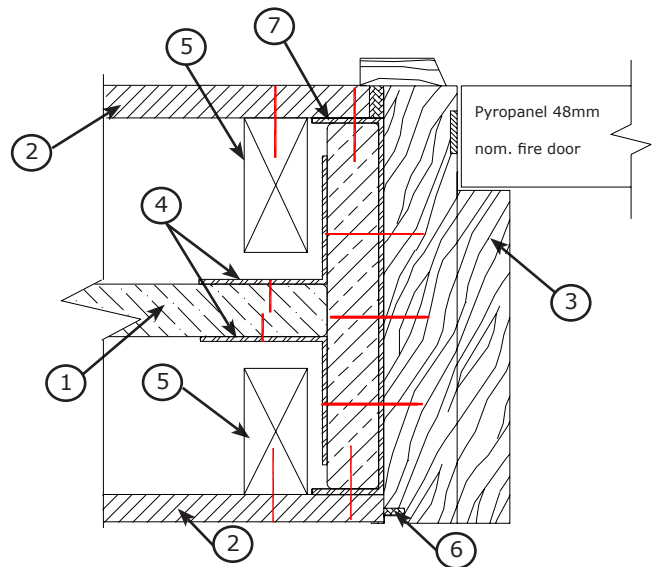
Offset 2 layer Shaftliner systems with steel door frame



Offset 2 layer Shaftliner systems with timber door frame  
(Timber frame limited to 1hr applications)



1 layer central Shaftliner systems with steel door frame

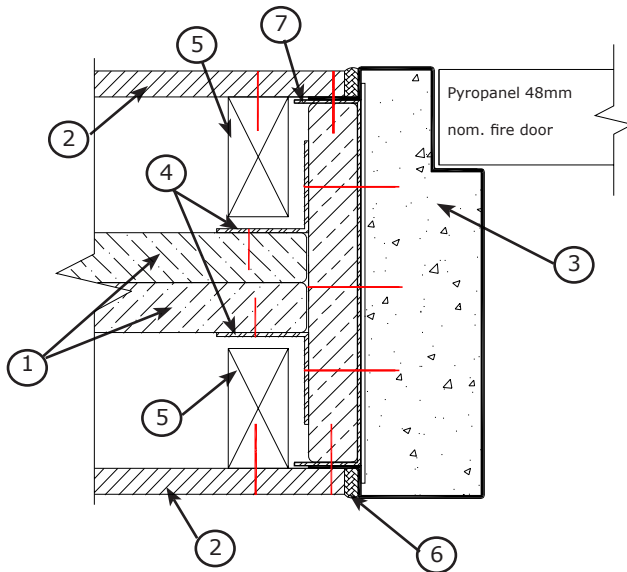


1 layer central Shaftliner systems with timber door frame  
(Timber frame limited to 1hr applications)

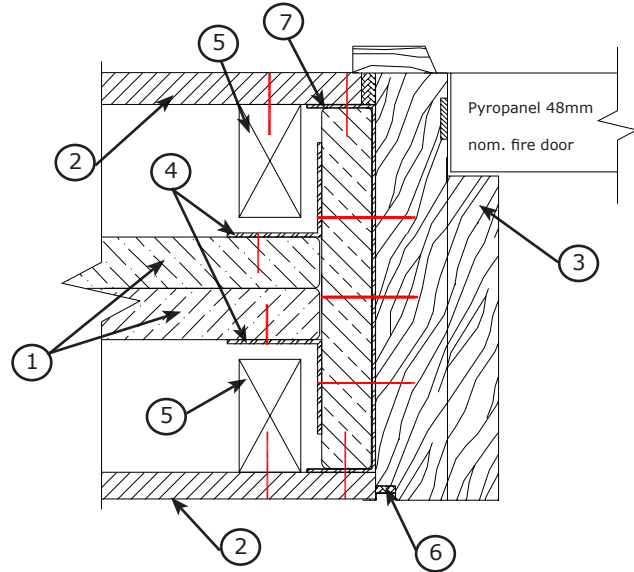
**Note:** Legend for drawings on Page 2

# BUILDING IN DETAILS

## Boral IntRwall Shaftliner walls



2 layer central Shaftliner systems with steel door frame


 2 layer central Shaftliner systems with timber door frame  
 (Timber frame limited to 1hr applications)

**LEGEND FOR DRAWINGS**

Item	Description
1	Boral 25mm Shaftliner
2	Plasterboard as required by Partiwall system number (Wall system numbers listed below)
3	Steel frame or timber frame: <ul style="list-style-type: none"> <li>➤ 1.6mm Steel frame filled with Pyropanel light-weight M4 mortar, or</li> <li>➤ Pyropanel fire rated timber frame (timber frame limited to 1hr applications).</li> <li>➤ Frame fixings at 450mm centres.</li> </ul>
4	35 x 35 x 0.7mm steel angle
5	Steel framing or timber stud framing
6	Pyropanel Multiflex fire rated sealant
7	Steel framing track to suit thickness of wall with nominally 32mm wide flange and 1.2mm thick

**Boral systems with 2 x 25mm Shaftliner**

System No.	FRL
50IW13S13	-/60/60 -/90/90*
50IW13FS13F	-/90/90 -/120/120*
50IW13AS13A	-/60/60 -/90/90*
50IWFR10S13A	-/60/60
50IWF13S13	-/60/60 -/90/90*
50IWF13FS13F	-/90/90 -/120/120*
50IWF13AS13A	-/60/60 -/90/90*
50IWS13S13	-/90/90
50IWS13AS13A	-/90/90
50IWS13FS13F	-/120/120
50IWS13WS13W	-/90/90

**Boral systems with 1 x 25mm Shaftliner**

System No.	FRL
25IWS13S13	-/60/60
25IWS13AS13A	-/60/60
25IWS13WS13W	-/60/60
25IWS20WS20	-/60/60

**Pyropanel Developments Pty Ltd**

235 Huntingdale Rd, Oakleigh, Vic 3166  
 Ph: **(03) 9837 8500** Fax: (03) 9837 8550  
 Email: [sales@pyropanel.com.au](mailto:sales@pyropanel.com.au)  
 Web: [www.pyropanel.com.au](http://www.pyropanel.com.au)

**Distributed by:**