

BUILDING-IN DETAILS

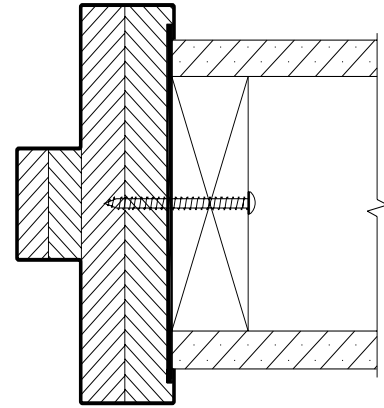
Fire Rated Plasterboard walls

DESCRIPTION

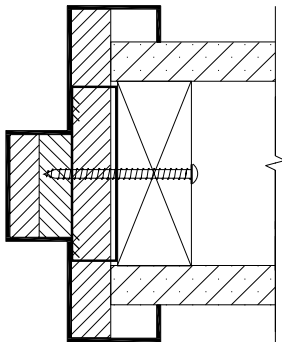
Building-in details showing the approved fixing methods for standard fire rated plasterboard stud walls (timber or steel studs) up to 2 hours of fire rating.

REQUIREMENTS

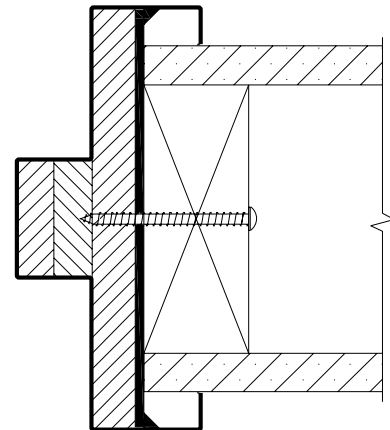
- Back-filling with Pyropanel FR Board strips, fire rated plasterboard strips, plaster, Pyropanel M4 lightweight mortar or mortar is required to meet the frame Insulation requirements of 30 minutes to the current standards (AS 1530.4-2014). Back-filling with Pyropanel lightweight M4 Mortar is required for Insulation requirements of 60 minutes.
- Ensure all gaps are tightly filled with Pyropanel fire rated acoustic sealant.
- Fixings to be at max 500mm centres (10 gauge steel screws).
- Note: Some special installations (e.g timber architraves/other cladding over steel frame) require a specific frame filling material. Please check prior to installation.



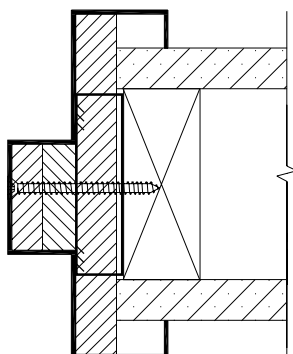
Steel strap



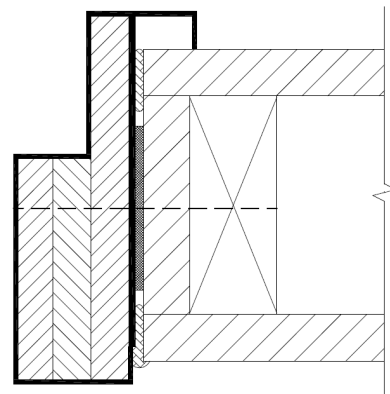
MS tube or saddle bracket



Steel strap



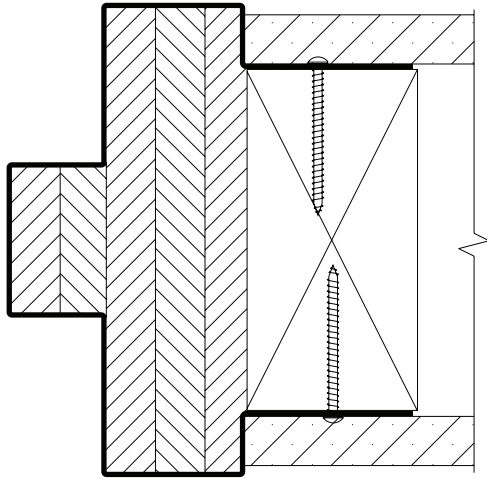
Countersunk screw



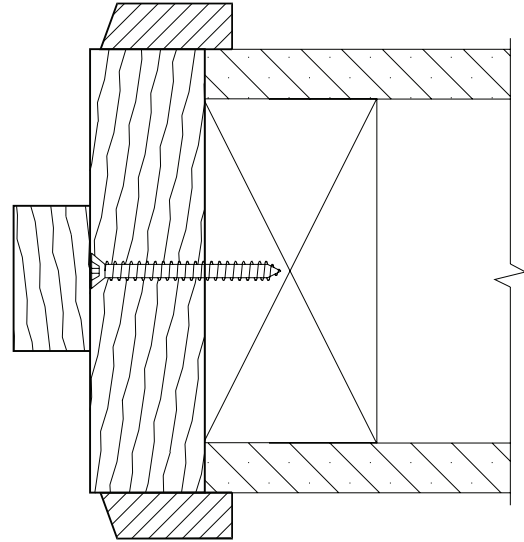
Steel strap

BUILDING-IN DETAILS

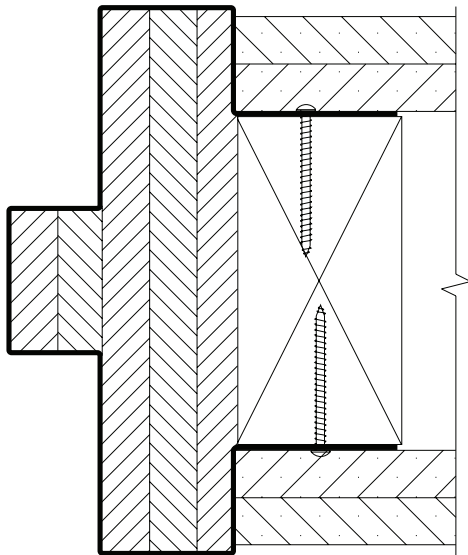
Fire Rated Plasterboard walls



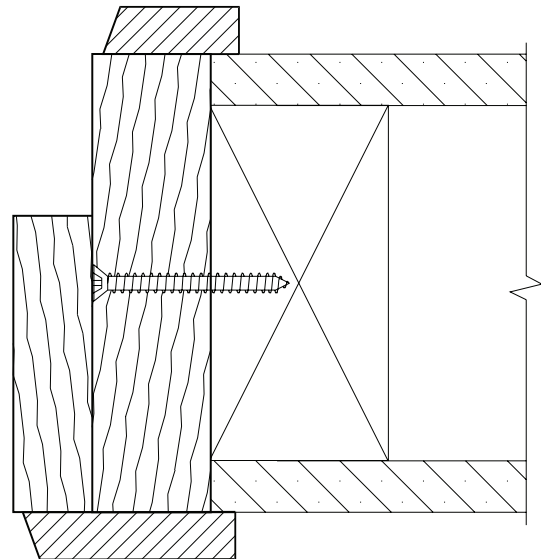
Steel frame - single layer of plasterboard



Timber frame - Single layer of plasterboard



Steel frame - double layer of plasterboard



Timber frame - Single Rebate with single layer of plasterboard

Note: The architrave is a mandatory component to protect hinge screws and striker plate.

Pyropanel Developments Pty Ltd

235 Huntingdale Rd, Oakleigh, Vic 3166

Ph: **(03) 9837 8500** Fax: (03) 9837 8550

Email: sales@pyropanel.com.au

Web: www.pyropanel.com.au

Distributed by: