

ASSA ABLOY

ACOUSTIC DOOR

47 Rw, Single leaf, Acoustic Doorset (up to 47 Rw), non-fire rated

DESCRIPTION

Pyropanel AS-SPECIAL-A is a non-fire rated single leaf acoustic doorset (up to 47 Rw) system using various perimeter and bottom seals.

APPLICATIONS

Ideal for applications that require an extremely high acoustic rating.

FEATURES

Acoustic Rating

- Up to 47 Rw.

Door Configuration

- Single leaf

Thickness

- 48mm (nominal)

Door Weight

- Approx 85 kg/m²

Size

- Maximum size - 2400 x 1200mm

Hinges

- Minimum 4 heavy duty steel hinges.

Frame

- Pyropanel Euroseal steel frame (heavy duty & back-grouted)

Finish

- Steel to both faces and edges (steel-wrapped)

Seal Combinations

Door Type	Perimeter	Bottom	Rw
AS-SPECIAL-A1	Pyropanel Euroseal	Raven RP38si	44
AS-SPECIAL-A2	Pyropanel Euroseal	Raven RP38si + Pyropanel PY-CS1 corner seals	45
AS-SPECIAL-A3	Pyropanel Euroseal	Pyropanel Pyrosill	45
AS-SPECIAL-A4	Pyropanel Euroseal + Kilargo IS7010si or IS7020si	Pyropanel Pyrosill + Kilargo IS3080si	47

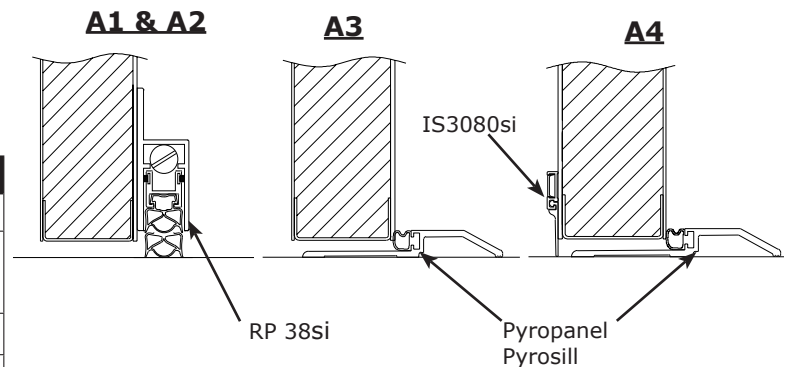
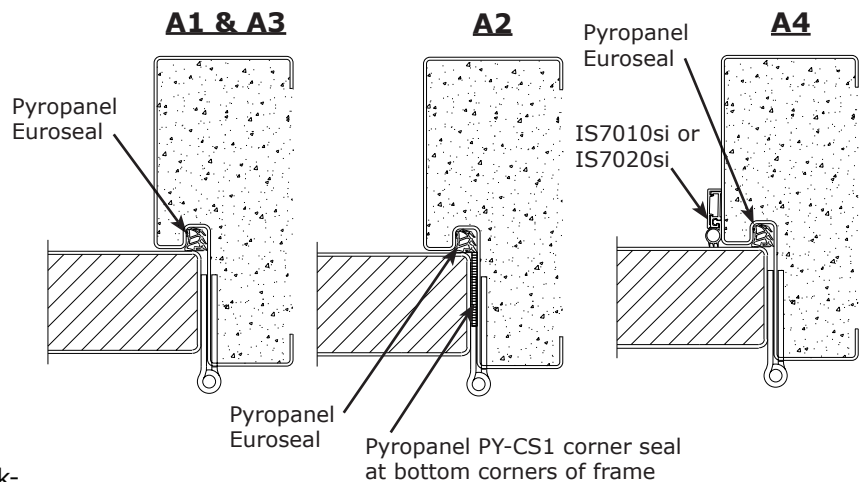
Note: Steel wrapped door skins require special tooling. Please check with your Pyropanel Distributor for availability in your area.

OPTIONAL EXTRAS

- Pre-hung in steel frame
- Stainless steel faces

INSTALLATION

This door is very heavy, and the frame must be securely attached to the wall structure. The wall should be designed to withstand a doorset of this weight. The frame must then be tightly sealed to the wall structure using Pyropanel Pyropanel Euroseal acoustic sealant. Steel door frames require packing with Pyropanel light weight M4 mortar, concrete or mortar to achieve the desired acoustic rating.



HOW TO SPECIFY

"Door to be a Pyropanel AS-SPECIAL-A1* acoustic door installed in a packed heavy duty steel door frame".

* denotes example - delete, change or specify as required

Pyropanel Developments Pty Ltd
 235 Huntingdale Road, Oakleigh Sth, Vic 3166
 Ph: (03) 9837 8500 Fax: (03) 9837 8550
 Email: sales@pyropanel.com.au
 Web: www.pyropanel.com.au

Distributed by: