

60 minute fire rated 31 Rw single acoustic / smoke / fire door

DESCRIPTION

Pyropanel AS-31-PAN is a 31 Rw 1 hour fire rated 48mm nominal single leaf acoustic door that utilises a Raven Products RP10 perimeter seal and an RP99si bottom seal.

APPLICATIONS

Ideal for unit entry applications or anywhere that requires 60 minutes of fire resistance and an acoustic rating of 31 Rw.

FEATURES

Acoustic Rating

- 31 Rw.

Smoke resistance

- Meets the NCC requirement for a smoke door.

Fire Resistance

- FRL -/60/30

Door Configuration

- Single leaf hung in a steel or timber frame.

Perimeter Seal

- Raven RP10

Bottom Seal

- Raven RP99si.

Thickness

- 48mm (Nominal)

Size

- Maximum Size - 2420 x 1020 or 2200 x 1120.

Hinges

- Minimum 3 steel hinges.

Frame

- Pyropanel KDHW timber or packed pressed steel frame.

Finish

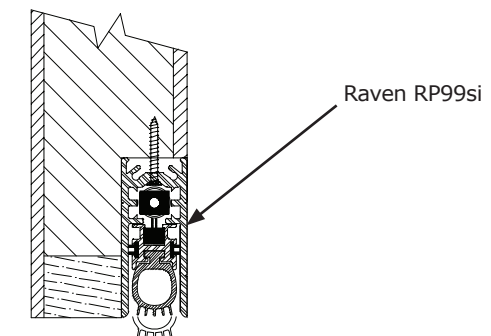
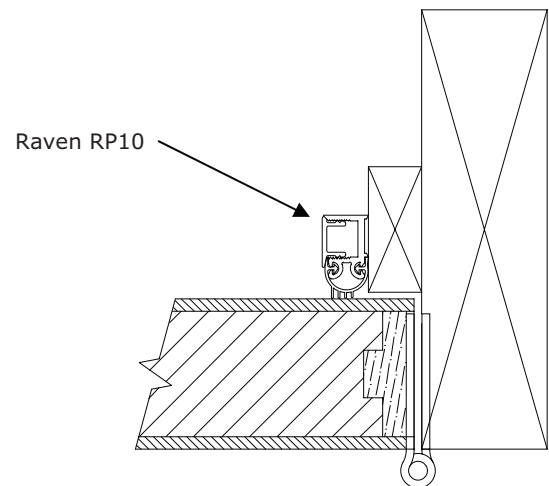
- MDF as standard,

OPTIONAL EXTRAS

- Pre-hung in steel or timber frame
- Ply, Veneer, Steel or Laminate facings
- Vision panels—300 x 200 or 600 x 100mm.
- Kick Panels of 1mm Stainless Steel to selected height

INSTALLATION

Door frame must be tightly sealed against wall structure using Pyropanel Multiflex fire and acoustic sealant. Metal door frames will require packing with Pyropanel FR board, Fire rated plaster, concrete or mortar to achieve desired acoustic rating.



HOW TO SPECIFY

"Door to be a Pyropanel AS-31-PAN acoustic door with -/60/30* FRL, installed into a Pyropanel Fire rated timber / packed steel* door frame"

* denotes example - delete, change or specify as required

Pyropanel Developments Pty Ltd

Unit 1, 97 Lewis Rd, Wantirna South, Vic 3152

Ph: **(03) 9837 8500** Fax: (03) 9837 8550

Email: sales@pyropanel.com.au

Web: www.pyropanel.com.au

Distributed by: