

4 hr fire rated, 31 Rw, Single Acoustic / Smoke / Fire door

DESCRIPTION

Pyropanel AS-31-FRB is a 31 Rw, 4 hour fire rated 48mm nominal single leaf acoustic door that utilises an approved concealed or surface mounted perimeter seal and an approved bottom seal.

APPLICATIONS

Ideal for applications that require 4 hours of fire resistance and an acoustic rating of 31 Rw, such as hospitals, warehouses and fire escapes.

FEATURES
Acoustic Rating

- 31 Rw.

Fire Resistance

- FRL -/240/30

Smoke Resistance

- Meets the NCC requirement for a smoke door.

Door Configuration

- Single leaf hung in a steel frame.

Thickness

- 48mm (Nominal)

Size

- Maximum Size - 3000 x 1500

Frame

- Packed steel frame.

Finish

- Plywood as standard.

Seal Combinations

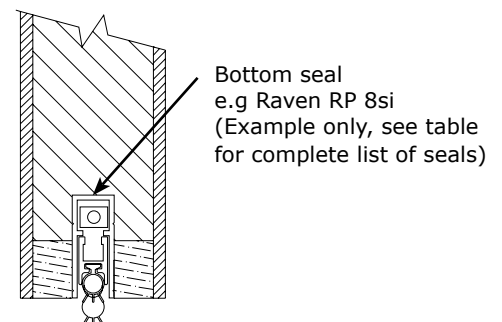
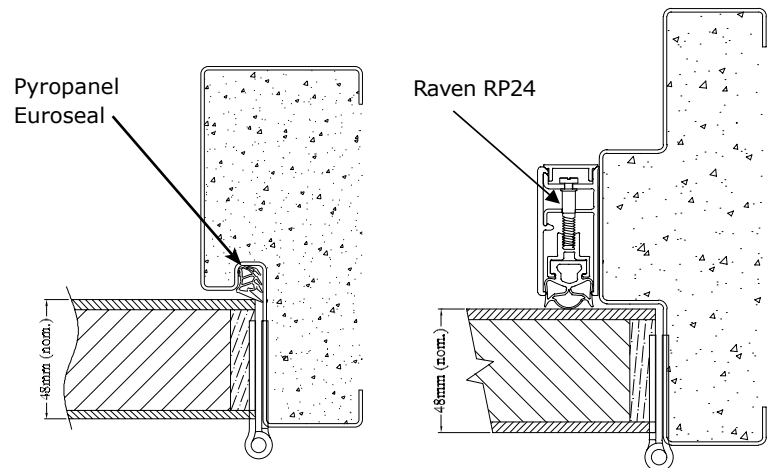
Door Type	Perimeter	Bottom	Rw
AS-31-FRB-A	Pyropanel Euroseal	Raven RP8si or Raven RP38si or Lorient LAS 8001si	31
AS-31-FRB-B	Raven RP24si	Raven RP8si or Raven RP38si or Lorient LAS 8001si	31

OPTIONAL EXTRAS

- Pre-hung in steel or timber frame.
- MDF, Veneer, Steel or Laminate facings.
- Vision panels—300 x 200 or 600 x 100mm nom.
- Kick Panels of 1mm Stainless Steel to selected height.

INSTALLATION

Door frame must be tightly sealed against wall structure using Pyropanel Multiflex fire and acoustic sealant. Steel door frames will require packing with Pyropanel FR board, Fire rated plaster, concrete or mortar to achieve desired acoustic and fire rating.


HOW TO SPECIFY

"Door to be a Pyropanel AS-31-FRB-A Acoustic door with -/240/30* FRL, installed into a packed steel door frame"

* denotes example - delete, change or specify as required

Pyropanel Developments Pty Ltd

Unit 1, 97 Lewis Rd, Wantirna South, Vic 3152

Ph: (03) 9837 8500 Fax: (03) 9837 8550

Email: sales@pyropanel.com.au

Web: www.pyropanel.com.au

Distributed by: