

60 minute fire rated 30 Rw single leaf acoustic / smoke / fire door

DESCRIPTION

Pyropanel AS-30-PAN is a 30 Rw, 1 hour fire rated 48mm nominal single leaf acoustic door that utilises an approved concealed or exposed frame-mounted perimeter seal and an approved bottom seal.

APPLICATIONS

Ideal for unit entry applications or anywhere that requires 60 minutes of fire resistance and an acoustic rating of 30 Rw.

FEATURES

Acoustic Rating

- 30 Rw

Fire Resistance

- FRL -/60/30

Smoke Resistance

- Meet the NCC requirement for a smoke door.

Door Configuration

- Single leaf hung in a steel or timber frame.

Perimeter Seals

- See seal combinations listed on page 2.

Bottom Seals

- See seal combinations listed on page 2.

Thickness

- 48mm (Nominal).

Size

- Maximum Size - 2420 x 1020 or 2200 x 1120 (-/60/30)

Hinges

- Minimum 3 steel hinges.

Frame

- Pyropanel KDHW timber or packed steel frame.

Finish

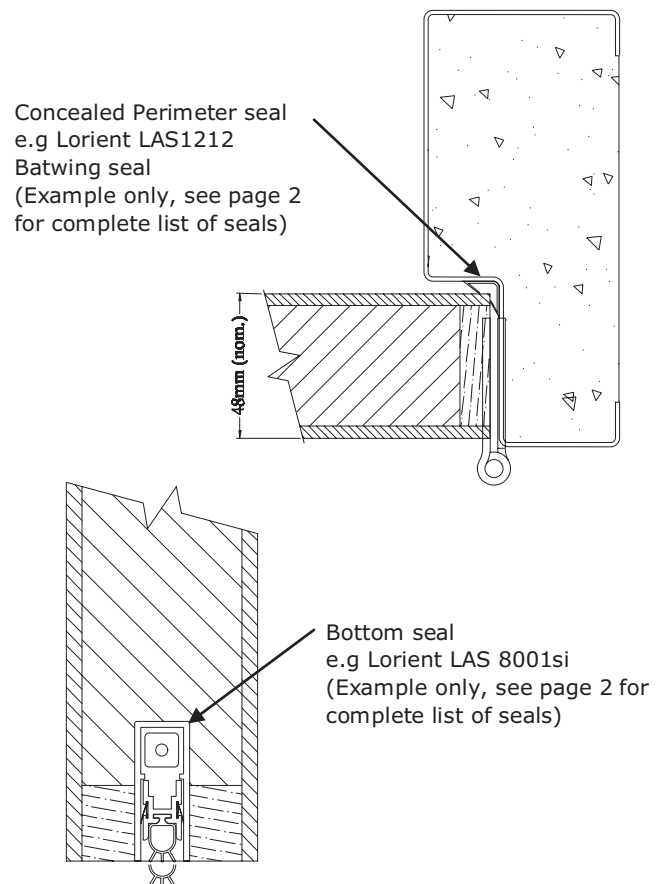
- MDF as standard.

OPTIONAL EXTRAS

- Pre-hung in steel or timber frame
- Ply, Veneer, Steel or Laminate facings
- Vision panels—300 x 200 or 600 x 100mm.
- Kick Panels of 1mm Stainless Steel to selected height.

INSTALLATION

Door frame must be tightly sealed against wall structure using Pyropanel Multiflex fire and acoustic sealant. Steel door frames will require packing with Pyropanel FR board, Fire rated plaster, concrete or mortar to achieve desired acoustic rating.



HOW TO SPECIFY

"Door to be a Pyropanel AS-30-PAN acoustic door with -/60/30* FRL, installed into a Pyropanel Fire rated timber / packed steel* door frame, with Lorient LAS1212* and Lorient LAS8001si* seals"

* denotes example - delete, change or specify as required

Pyropanel Developments Pty Ltd

Unit 1, 97 Lewis Rd, Wantirna South, Vic 3152

Ph: (03) 9837 8500 Fax: (03) 9837 8550

Email: sales@pyropanel.com.au

Web: www.pyropanel.com.au

Pyropanel Developments has a policy of continuous improvement and reserves the right to change methods and specifications without notice.

Note: The Tech Sheet is an uncontrolled document, If printed please refer to the Tech-Sheet on the website to check if this document is valid.

Distributed by:

60 minute fire rated 30 Rw single leaf acoustic / smoke / fire door

SEAL COMBINATIONS

Door Type	Perimeter Seals	Bottom Seals
AS-30-PAN	Lorient LAS1212 or LAS1812 (Concealed seals)	Lorient LAS8001si
		Lorient LAS8002si
		Lorient LAS8003si
		Lorient LAS8005si
		Lorient LAS8006si
		Lorient LAS8007si
		Lorient LAS8008si
		Lorient LAS8009si
	Lorient LAS7001si or LAS7002si or LAS7003si or LAS7005si or AAS7501si or AAS7503si (Exposed frame-mounted seals)	Lorient LAS8001si
		Lorient LAS8002si
		Lorient LAS8003si
		Lorient LAS8004si
		Lorient LAS8005si
		Lorient LAS8006si
		Lorient LAS8007si
		Lorient LAS8008si
	Raven RP120 (Concealed seal)	Raven RP99si
		Raven RP38si
		Raven RP35si
		Raven RP8si

Pyropanel Developments Pty Ltd

Unit 1, 97 Lewis Rd, Wantirna South, Vic 3152

 Ph: **(03) 9837 8500** Fax: (03) 9837 8550

 Email: sales@pyropanel.com.au

 Web: www.pyropanel.com.au
Distributed by: