

Pyropanel Security Door Latch

INTRODUCTION

AS1905.1-2015 came into effect in June 2016. Within this revision, the use of swing bars, bolts, standard door chains and other similar security devices were explicitly prohibited on fire doors as they have the capability to prevent the self-closing operation of a fire door and damage the integrity of the fire rated door.

PRODUCT DESCRIPTION

A frame-mounted security latch that is designed to provide privacy and security for occupants.

APPLICATIONS

Unit entry doors, fire doors, offices, hotels, hostels or any applications that require additional privacy and security.

FEATURES

- It is not connected to the door leaf.
- It does not compromise the fire resistance performance of the door-set and has been fire tested to AS 1530.4.
- Reduced maintenance and no damage to the door leaf over time.
- Fully complies with AS 1905.1-2015 and performs better than door chains and other security latches that are fixed to both the door and the frame.
- Professional finish and looks neater than door chains.
- Provides guest privacy and security.
- Allows for visitor identification.
- Fire Rated up to 2 hrs on Pyropanel Fire doors.
- Prevents the door being held open.
- Silicone pads provide additional protection for the door.
- Does not interfere with standard door operation.
- Can be used on non rated doors.
- Easy to install on timber or steel frames.

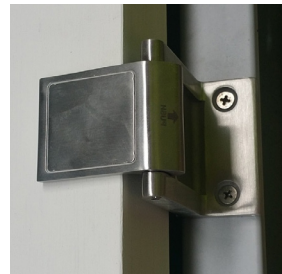
Models & Finishes:

MODELS	FINISH
DHPSDL -1A	Brushed Satin Chrome
DHPSDL -2A	Satin Chrome (Standard)
-2B	Polished Brass [#]
-2C	Satin Brass [#]
-2D	Oil Rubbed Dark Bronze [#]
-2E	Polished Chrome [#]

[#] Non-stocked. Available upon request



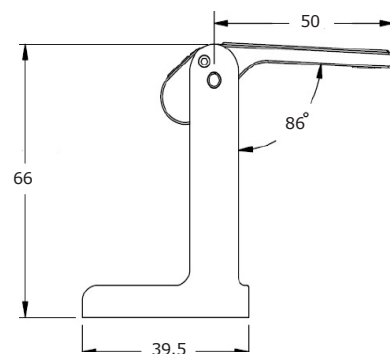
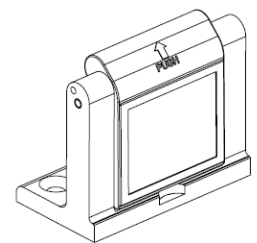
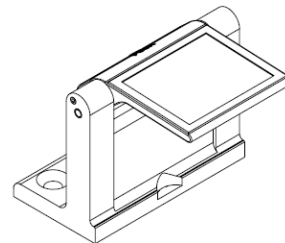
Security Door latch



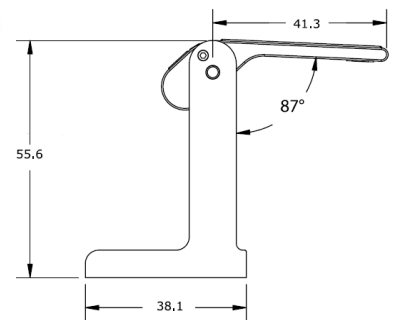
Door open (DHPSDL-1)



Door open (DHPSDL-2)



DHPSDL-1



DHPSDL-2

HOW TO SPECIFY

"Security latch to be a Pyropanel Security latch

Model no: DHPSDL-1A* "

* denotes example - delete, change or specify as required

Pyropanel Developments Pty Ltd

Unit 1, 97 Lewis Rd, Wantirna South, Vic 3152

Ph: (03) 9837 8500 Fax: (03) 9837 8550

Email: sales@pyropanel.com.au

Web: www.pyropanel.com.au

Distributed by:

Pyropanel Security Door Latch Installation Instructions

PYRO PANEL

ASSA ABLOY

DHPSDL

The global leader in
door opening solutions

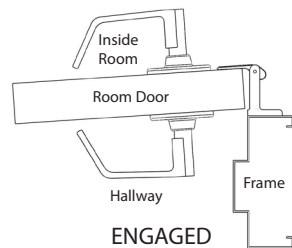
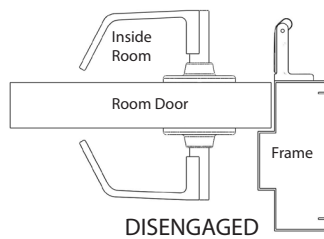
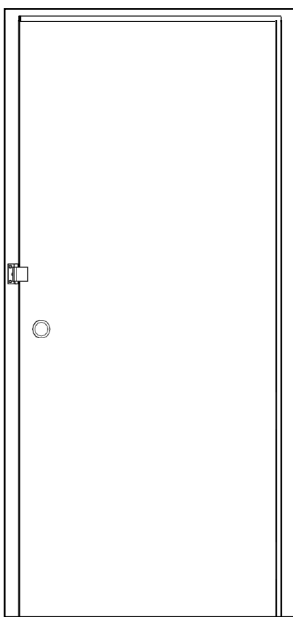
Tools Required:



Testing/Ratings:

- Pyropanel Pandor Doors : -/60/30
- Pyropanel FR Board Doors: -/120/30

Installation Instructions:



1. Determine mounting height.
2. Apply the mounting template sticker to the frame at mounting height, or position latch on frame and mark hole locations
3. Center punch and drill holes where indicated.
4. Mount the latch on the door frame with the fasteners provided.
5. Check product performance by extending the lip after the door is closed.
6. Close the door and push the lip to the disengaged position. The door should open freely.

Pyropanel Developments Pty Ltd

Unit 1, 97 Lewis Rd, Wantirna South, Vic 3152

Ph: **(03) 9837 8500** Fax: (03) 9837 8550

Email: sales@pyropanel.com.au

Web: www.pyropanel.com.au

Distributed by:

Exclusively distributed in Australia and New Zealand
by Pyropanel Developments, an ASSA ABLOY Group
Company.

Pyropanel Developments has a policy of continuous improvement and reserves the right to change methods and specifications without notice.
Note: *The Tech Sheet is an uncontrolled document, If printed please refer to the Tech-Sheet on the website to check if this document is valid.*