

ACCESSORIES

Fire rated vision panel

DESCRIPTION

Vision panels utilising Pilkington Pyrodur™, or Pyroceram glass for up to 4 hours of fire rating.

APPLICATIONS

Fire doors located in car parks, factories, schools, hospitals, or wherever there is a need to see through a fire door.

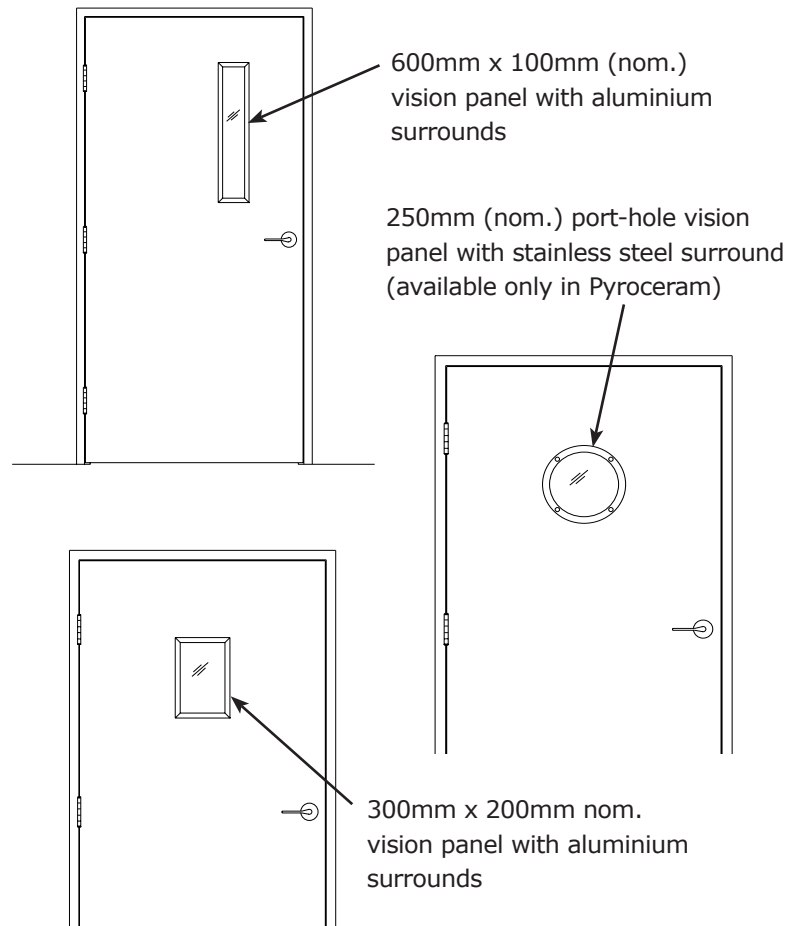
Note: Australian Standards 1530.4 and 1905.1 limit visible area for glass that has an insulation value less than 30 minutes to a maximum area 65,000mm² when used in fire doors.

FEATURES

- Fully certified to Australian Standards
- 13mm Pilkington Pyrodur glass
 - Perfectly clear glass
 - Up to 2 hr fire rating
 - Acoustically rated to 38 Rw
- 5mm Pyroceram ceramic glass
 - Slight bronze colour in appearance
 - Up to 4 hr fire rated
- Standard sizes:
 - 300 x 200mm (nom.),
 - 600 x 100mm (nom.),
 - 250mm (nom.) diameter port-hole (only available with 5mm Pyroceram glass)

OPTIONAL EXTRAS

- For vision panels greater than 65,000mm² visible area, please refer to "Glass fire doors" within the Fire Door section.



HOW TO SPECIFY

Eg, "Door to have 600 x 100mm (nom)* Pyropanel PVP-Pyrodur* vision panel including surrounds..."

* denotes example - delete or change or specify as required

GLASS DATA

Model	Maximum fire rating	Glass	Light transmission	Thickness	Acoustic rating (Rw)	Maximum Visible area
PVP-Pyrodur	2hr	Pyrodur™	85%	13mm	38	65,000mm ²
PVP-Pyroceram	4hr	Pyroceram™	65% (approx)	5mm	-	65,000mm ²

Pyropanel Developments Pty Ltd
 235 Huntingdale Road, Oakleigh, Vic 3166
 Ph: (03) 9837 8500 Fax: (03) 9837 8550
 Email: sales@pyropanel.com.au
 Web: www.pyropanel.com.au

Distributed by: