

ACCESSORIES

Euroseal® medium temperature smoke & acoustic seal

DESCRIPTION

A fire rated silicone smoke seal that is concealed inside the door frame and provides protection against the transmission of ambient and medium temperature smoke, and sound.

APPLICATIONS

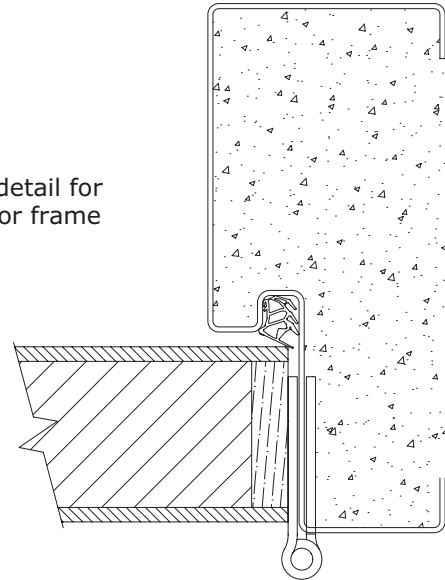
Unit entry doors, fire doors, offices, schools, hotels, hostels, nursing homes, hospitals, factories or any application that requires protection against the spread of ambient or medium temperature smoke, or which requires the reduction of sound transmission.

The specially designed frames (timber or steel), and are available in either fire rated or non fire rated profiles. The Euroseal holds itself in position in the door stop without the need for any adhesives and can be easily installed on site after painting of the door frame.

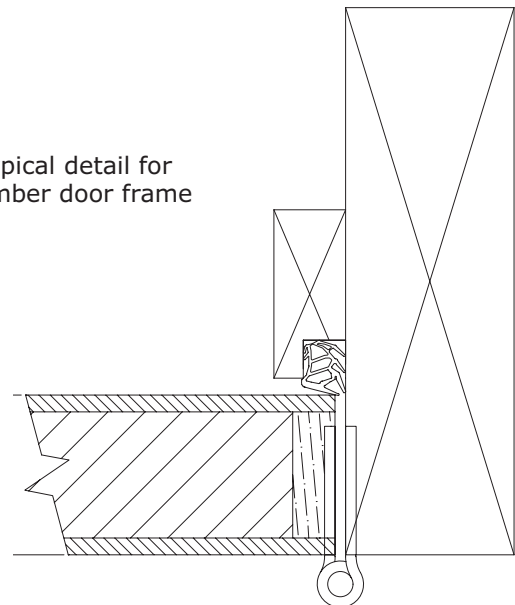
FEATURES

- Fully certified to Australian Standards.
- Suitable for all Pyropanel fire rated doorsets up to 4 hours FRL (AS 1530.4, BS 476).
- Up to 40 Rw (STC) acoustic rating.
- Does not reduce clear opening width.
- Extremely cost effective and durable.
- Relief from slamming doors.
- No adhesives required - simply pressed into the frame after painting.
- Reduces medium (200°C) and ambient temperature smoke transmission.
- Completely concealed when door is closed.
- Stops dust.
- Can be easily removed, cleaned and refitted into the 10mm x 10mm rebate.
- Tested and Approved for 1 hour fire rated Pyropanel Life Safety Doors (certified smoke doors) with less than 2m³/h of smoke leakage on selected Life Safety Door models (*Refer Life Safety Door section of product manual*).
- Preformed pressed metal door frames available from all Pyropanel licensed distributors to suit a wide variety of wall types (*Refer tech sheet FRAME-04 for full range of Euroseal pressed metal door frames*).
- See over for correct installation instructions.

Typical detail for steel door frame



Typical detail for timber door frame



HOW TO SPECIFY

Eg, "Perimeter door seal to be a Pyropanel Euroseal® concealed medium temperature smoke and acoustic seal, installed into a Euroseal pressed metal door frame / timber door frame* to suit appropriate wall type and fire rating"

* denotes example - delete or change or specify as required

Pyropanel Developments Pty Ltd

235 Huntingdale Rd, Oakleigh, Vic 3166

Ph: **(03) 9837 8500** Fax: (03) 9837 8550

Email: sales@pyropanel.com.au

Web: www.pyropanel.com.au

Distributed by:

ACCESSORIES

Euroseal® medium temperature smoke & acoustic seal

Pyropanel Euroseal - Installation Guidelines

This installation guideline has been produced to assist installers with the installation of Pyropanel's Euroseal Perimeter Seal on fire/smoke/acoustic doors.

It is important to note that the Euroseal product is approved only on Pyropanel door-sets and is only available through Pyropanel or its authorized distribution network. Our approvals do not extend to products which claim to be either the same or a substitute product.

The fitting of door seals requires attention to detail and precision. A poorly fitted seal will reduce the acoustic and smoke leakage performance. It can be done manually, however the use of modern manufacturing equipment and pre-installation will ensure a high degree of accuracy.

Door Frame:

- To be installed true and square, with no wind (The door leaf is flat and the door seal can not accommodate door frames which are not square and straight).
- Gaps from door edges to frame jambs to be 2-3mm as per AS 1905.1.
- Gaps from door faces to frame stops to be 4mm (as per tested system).

Door Leaves:

- Must be kept flat to avoid bending or twisting.
- Corner of door leaves contacting Euroseal in frame should have a 1mm chamfer (ie top and side corners of push side of door).

Fitting Euroseal:

- The Euroseal seal is located in a 10x10mm groove in the frame stop.
- Cut seal slightly longer than required.
- Ensure seal is fitted in the correct orientation (ie main fin pointing towards frame jamb). Refer to the drawing below.
- Push seal into the 10x10mm groove in the frame stop, starting at the bottom and working upwards. **Do not stretch the seal during installation. It will shrink back and leave a gap at one or both of the ends.** Any gaps caused by shrinkage of seals will have an impact on acoustic or smoke performance.
- Cut mitres at corners with a sharp blade, ensuring there are no gaps at the corners.
- The edge gaps must be accurate to ensure the Euroseal operates properly.

Pyropanel Developments Pty Ltd

235 Huntingdale Rd, Oakleigh, Vic 3166
Ph: **(03) 9837 8500** Fax: (03) 9837 8550
Email: sales@pyropanel.com.au
Web: www.pyropanel.com.au

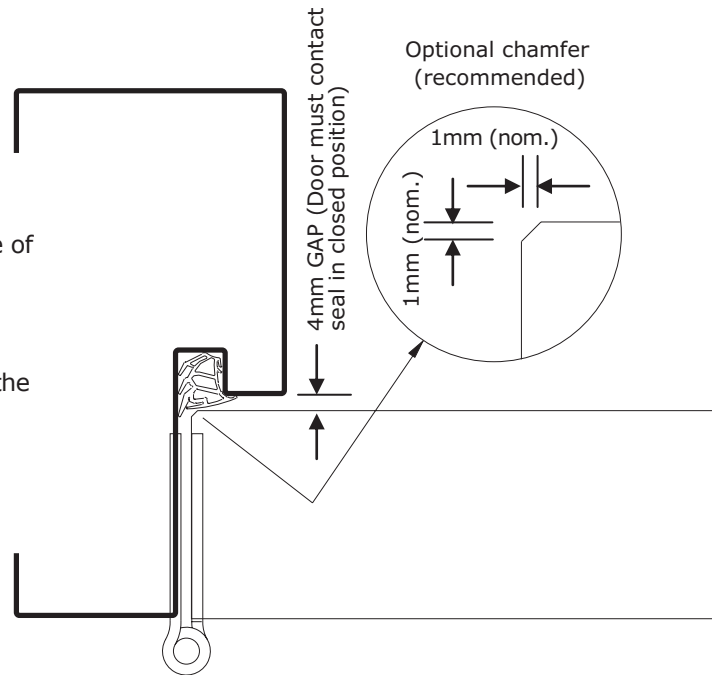
Distributed by:

ACCESSORIES

Euroseal® medium temperature smoke & acoustic seal

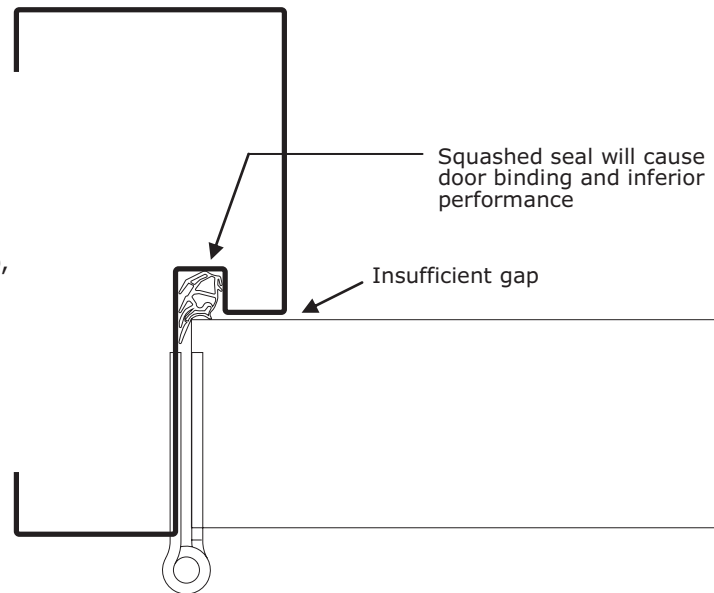
CORRECT INSTALLATION

Correct installation requires a 4mm gap between the face of the door and the door stop. This provides for the correct compression of the seal, and allows the door to operate properly. It is also possible (but not required) to apply a slight chamfer the corner of the door to further increase the performance of the seal (see insert).



INCORRECT INSTALLATION

Incorrect installation occurs where there is insufficient clearance between the face of the door and the door stop, causing too much compression of the Euroseal, which results in damage to the seal, and jamming doors.



NOTE: Correct closer selection is important for ALL doors fitted with compression seals. (If in doubt, please contact your hardware supplier to determine suitability)