

ACCESSORIES

Pyropanel Pyrosill

DESCRIPTION

An aluminium floor mounted threshold seal incorporating a silicone based seal that reduces the passage of sound and smoke.

APPLICATIONS

Commercial and domestic applications requiring a high performance acoustic and smoke seal. Has been tested with Pyropanel Acoustic doors for up to 47Rw of acoustic resistance.

FEATURES

- Slimline design - only 12.5mm high
- Replaceable rubber seal
- Easy to install

CLEARANCES

Max clearance under door before installing Pyrosill = 8mm

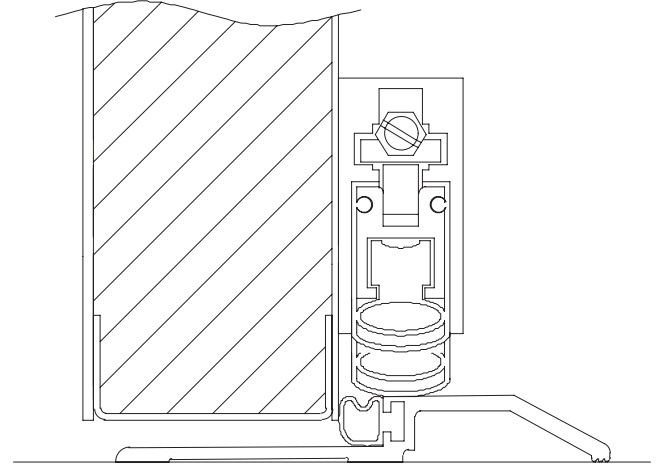
Min clearance under door before installing Pyrosill = 4mm

Max clearance under door to Pyrosill = 5mm

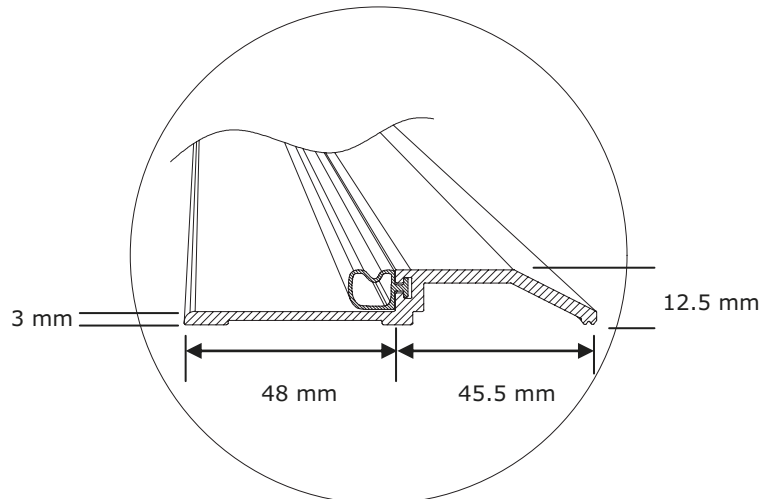
Min clearance under door to Pyrosill = 1mm

HOW TO SPECIFY

"Door seal to be a Pyropanel Pyrosill acoustic & smoke threshold seal..."



Example of Pyrosill installed at base of Pyropanel AS-SPECIAL-B acoustic door with Zero 367A, tested to 47Rw acoustic rating.



Pyropanel Developments Pty Ltd

235 Huntingdale Rd, Oakleigh, Vic 3166

Ph: **(03) 9837 8500** Fax: (03) 9837 8550

Email: sales@pyropanel.com.au

Web: www.pyropanel.com.au

Distributed by: