

# LIFE SAFETY DOOR

## LSD-60-C/MS

TECH SHEET- LSD-60-C/MS

Issue: 10-05-05

**Tested and Certified Fire, Smoke and Acoustic door**

### DESCRIPTION

60 minute Fire Rated Life Safety Door that has been tested and certified for fire resistance as per AS1530.4, tested and certified for smoke leakage as per AS1530.7, incorporating a choice of high performance cold / medium smoke seals.

### APPLICATIONS

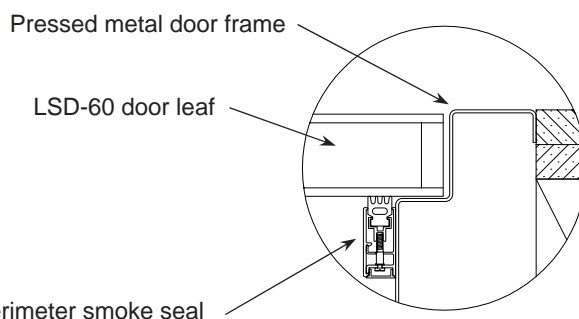
Ideal for Apartment entry doors or anywhere that requires 60 minutes of certified fire resistance, smoke resistance and acoustic resistance.

### FEATURES

- **SMOKE RESISTANCE (SRL):** COLD / MEDIUM
- **FIRE RESISTANCE (FRL):** -/60/30
- **ACOUSTIC RESISTANCE:** 27-30 (Rw)
- Tested and certified to AS1530.7 for Smoke Leakage
- Tested and certified to AS1530.4 for Fire Resistance
- Acoustically tested (with filled metal or timber frame)
- 1.2mm and 1.4mm Pressed Metal Frames, or Fire Rated Plantation Timber Frames
- 38mm and 48mm thick, Single and Pair assemblies
- Environmentally friendly non-timber core
- Fully tagged with FRL and SRL door tags
- Lighter than conventional 'solid-core' doors (leaf weight approximately 22kg/m<sup>2</sup> for 48mm thick door)
- Maximum size - Singles - 2400 x 1020mm  
- Pairs - 2400 x 1020mm per leaf
- Meets the deemed to satisfy provisions for Smoke Doors found in Specification C3.4 Clause 3.2(b) of the BCA
- All pair assemblies are smoke tested with Pyropanel J-Section meeting Stiles. Refer Pyropanel for pair assembly and large door leakage certificates.

### OPTIONAL EXTRAS

- MDF, Ply, Steel or Laminate facings
- Solid hardwood frames
- Stainless Steel frames
- Vision panels - 300 x 200 or 250 x 250mm.
- Kick Panels of 1.2mm Stainless Steel to selected height
- Euroseal frame profile (see LSD-60-C/MS/EU)
- Pre-hung assembly available
- -/- and -/30/30 models available (see LSD-0-C/MS and LSD-30-C/MS)



### HOW TO SPECIFY

*"Door to be a Pyropanel Life Safety Door LSD-60-C/MS or equally tested and certified with Pressed Metal /Fire Rated Timber\* door frames, 48mm\* thick, -/60/30 FRL, certified smoke leakage, MDF/Ply face\*, with RP78Si\* perimeter seal, and RP99Si\* bottom seal, and the following options: (eg, vision panels, kick panels, etc),"*

\* denotes example - delete, change or specify as required

### MORE INFORMATION

For more information on the range of Pyropanel Life Safety Doors, please refer to the Life Safety Door System Guide available for download at [www.pyropanel.com.au](http://www.pyropanel.com.au).

### SEAL COMBINATIONS

Frame Details Note:* indicates default seal combination which will be supplied unless otherwise specified	Leaf Thickness (mm)	Cold/Medium perimeter Smoke Seal	Bottom Seal	Smoke Leakage 2040x820 single (@10Pa)	Smoke Certificate (820 single)	Rw 38mm/48mm
Pressed metal or Fire Rated plantation timber	38 or 48	RP78Si*	RP99Si*	<2m <sup>3</sup> /h	SFC40973	27/30
Pressed metal or Fire Rated plantation timber	38 or 48	RP24Si	RP38Si	<2m <sup>3</sup> /h	SFC40974	27/30
Pressed metal or Fire Rated plantation timber	38 or 48	LE1515	IS8010Si	<2m <sup>3</sup> /h	SFC40962	27/30

**PYRO PANEL**  
Protecting Life and Property

**Pyropanel Developments** Pty Ltd  
122-124 Beresford Rd, Lilydale, VIC, 3140  
Ph: (03) 9735 5688 Fax: (03) 9739 5772  
Email: [sales@pyropanel.com.au](mailto:sales@pyropanel.com.au)  
Web: [www.pyropanel.com.au](http://www.pyropanel.com.au)

**Distributed by:**