

LIFE SAFETY DOOR

LSD-60-C/M/HS

TECH SHEET- LSD-60-C/M/HS

Issue: 10-05-05

Tested and Certified Fire, Smoke and Acoustic door

DESCRIPTION

60 minute Fire Rated Life Safety Door that has been tested and certified for fire resistance as per AS1530.4, tested and certified for smoke leakage as per AS1530.7, incorporating a variety of high performance cold / medium smoke seals and intumescent hot smoke seals.

APPLICATIONS

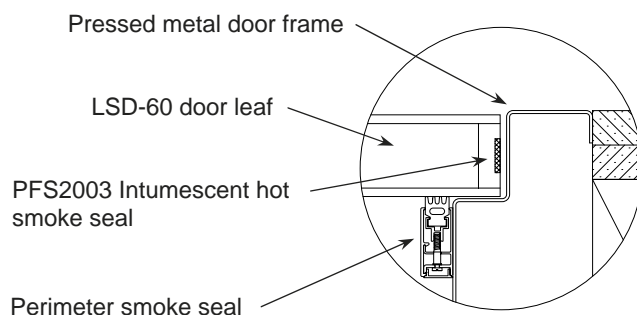
Ideal for Apartment entry doors or anywhere that requires 60 minutes of certified fire resistance, smoke resistance and acoustic resistance.

FEATURES

- **SMOKE RESISTANCE (SRL):** COLD / MEDIUM / HOT
- **FIRE RESISTANCE (FRL):** -/60/30
- **ACOUSTIC RESISTANCE:** 27-30 (Rw)
- Tested and certified to AS1530.7 for Smoke Leakage
- Tested and certified to AS1530.4 for Fire Resistance
- Acoustically tested (with filled metal or timber frame)
- 1.2mm and 1.4mm Pressed Metal Frames, or Fire Rated Plantation Timber Frames
- 38mm and 48mm thick, Single and Pair assemblies
- Environmentally friendly non-timber core
- Fully tagged with FRL and SRL door tags
- Lighter than conventional 'solid-core' doors (leaf weight approximately 22kg/m² for 48mm thick door)
- Maximum size - Singles - 2400 x 1020mm
- Pairs - 2400 x 1020mm per leaf
- Meets the deemed to satisfy provisions for Smoke Doors found in Specification C3.4 Clause 3.2(b) of the BCA
- All pair assemblies are smoke tested with Pyropanel J-Section meeting Stiles. Refer Pyropanel for pair assembly and large door leakage certificates

OPTIONAL EXTRAS

- MDF, Ply, Steel or Laminate facings
- Solid hardwood frames
- Stainless Steel frames
- Vision panels - 300 x 200 or 250 x 250mm
- Kick Panels of 1.2mm Stainless Steel to selected height
- Euroseal frame profile (see LSD-60-C/M/HS/EU)
- Pre-hung assembly available
- -/- and -/30/30 models available (see LSD-0-C/M/HS and LSD-30-C/M/HS)



HOW TO SPECIFY

"Door to be a Pyropanel Life Safety Door LSD-60-C/M/HS or equally tested and certified with Pressed Metal /Fire Rated Timber door frames, 48mm* thick, -/60/30 FRL, certified smoke leakage, MDF/Ply face*, with RP710Si, RP76Si and RP8Si* smoke seals, and the following options: (eg, vision panels, kick panels, etc),"*

* denotes example - delete, change or specify as required

MORE INFORMATION

For more information on the range of Pyropanel Life Safety Doors, please refer to the Life Safety Door System Guide available for download at www.pyropanel.com.au.

SEAL COMBINATIONS

Frame Details Note:* indicates default seal combination which will be supplied unless otherwise specified	Leaf Thickness (mm)	Cold/Medium perimeter Smoke Seal	Hot smoke seal	Bottom Seal	Smoke Leakage (@10Pa) (2040x820 single)	Smoke Certificate (820 single)	Rw 38mm/48mm
Pressed metal or Fire Rated plantation timber	38 or 48	RP10Si*	RP76Si*	RP8Si*	<2m ³ /h	SFC40961	27/30
Pressed metal or Fire Rated plantation timber	38 or 48	RP78Si	PFS2003	RP99Si	<2m ³ /h	SFC40973	27/30
Pressed metal or Fire Rated plantation timber	38 or 48	RP24Si	PFS2003	RP38Si	<2m ³ /h	SFC40974	27/30
Pressed metal or Fire Rated plantation timber	38 or 48	LE1515I	PFS2003	IS8010Si	<2m ³ /h	SFC40962	27/30



Pyropanel Developments Pty Ltd
122-124 Beresford Rd, Lilydale, VIC, 3140
Ph: (03) 9735 5688 Fax: (03) 9739 5772
Email: sales@pyropanel.com.au
Web: www.pyropanel.com.au

Distributed by: