

# INTUMESCENT SEALS PYROPANEL PFS2003 FIRE SEAL

TECH SHEET – ACC03

Issue: 11-12-03

Intumescent Smoke and Fire Seal

## DESCRIPTION

Pyropanel PFS2003 Fire Seal is an intumescent fire and smoke seal that is activated under fire conditions to restrict the passage of hot smoke and fire. The intumescent material softens and expands at high temperatures to seal the gap between the door edge and door frame to restrict the passage of hot smoke and help maintain the fire resistance level of the door.

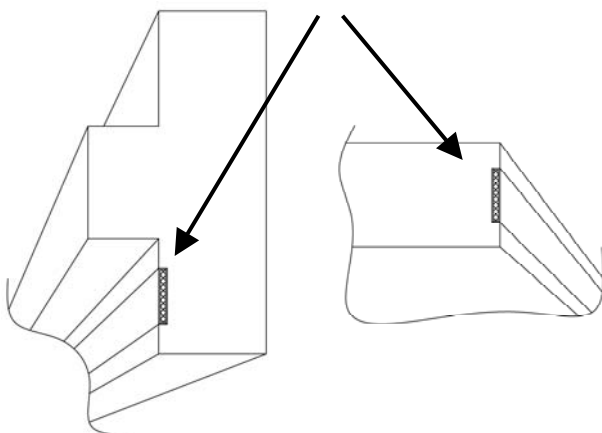
## APPLICATIONS

Pyropanel Fire Seals can be rebated into the head and edges of either the door leaf or timber frame.

## FEATURES

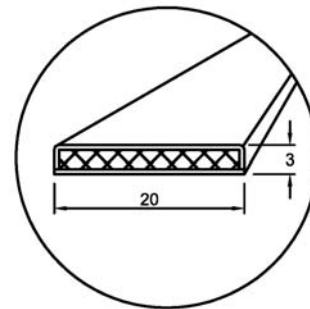
- Creates a hot smoke seal to resist both fire and smoke under fire conditions.
- Only 20mm wide X 3mm thick
- Tested for use in all Pyropanel Doors
- Can be used in conjunction with the **Pyropanel Life Safety** door range to upgrade the smoke resistance to Hot smoke.
- Integrated PVC cover can be painted
- Can be rebated into either the door edge and head or into a fire rated timber door frame
- Available in Red (standard colour), brown, black and uncoated.
- Timber veneer can be applied over seal.

Pyropanel PFS2003 Fire Seal



## INSTALLATION

1. Rebate 3mm x 20mm rebate into door frame or edge of door leaf.
2. Apply seal to rebate using integrated self adhesive backing strip.
3. Paint as required.



## SUITABILITY

Class	Protection
Pyropanel Fire Doors	Up to -/240/240

## PRODUCT CODES

Code	Optional colours	Overall Size
PFS2003-R	Red	3mm x 20mm
PFS2003-Br	Brown	3mm x 20mm
PFS2003-BI	Black	3mm x 20mm
PFS2003-SP	No casing	2.5mm x 19mm

## HOW TO SPECIFY

eg....*“Install Pyropanel Intumescent Fire Seal PFS2003 to the head and sides of door frame\* / head and edges of door\*”....*

*\*delete as required*



**Pyropanel Developments** Pty Ltd  
 122-124 Beresford Rd, Lilydale, VIC, 3140  
 Ph: (03) 9735 5688 Fax: (03) 9739 5772  
 Email: sales@pyropanel.com.au  
 www.pyropanel.com.au

**Distributed by:**