

ACCESSORIES

Euroseal® medium temperature smoke & acoustic seal

TECH SHEET: ACC-06

Issue: 03-07-07

Fire rated medium temperature perimeter smoke and acoustic seal, concealed into door frame

Page 1 of 2

DESCRIPTION

A fire rated neoprene smoke seal that is concealed inside the door frame and provides protection against the transmission of ambient and medium temperature smoke, and sound.

APPLICATIONS

Unit entry doors, fire doors, offices, schools, hotels, hostels, nursing homes, hospitals, factories or any application that requires protection against the spread of ambient or medium temperature smoke, or which requires the reduction of sound transmission.

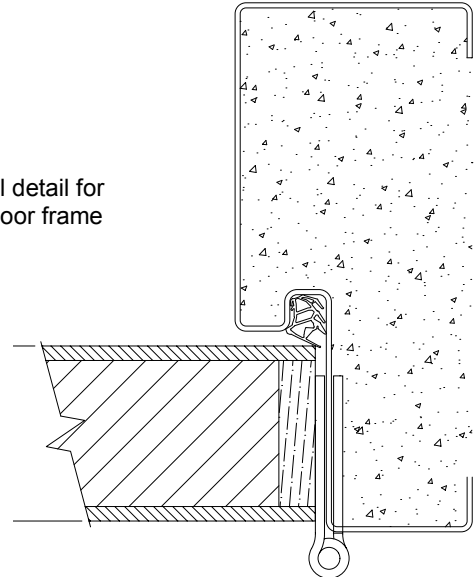
The specially designed frames (timber or steel), and are available in either fire rated or non fire rated profiles. The Euroseal holds itself in position in the door stop without the need for any adhesives and can be easily installed on site after painting of the door frame

FEATURES

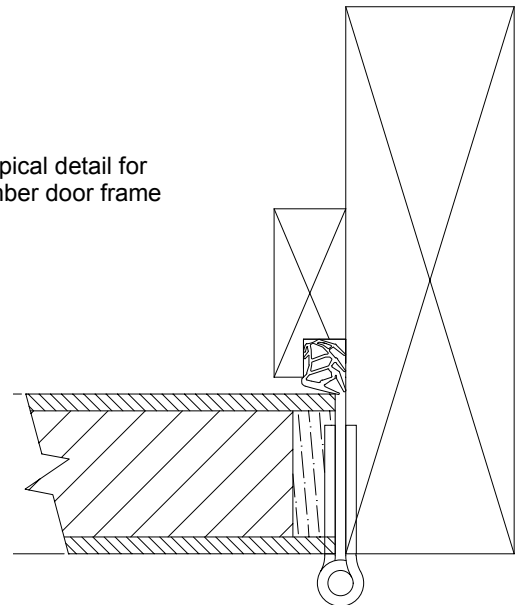
- Fully certified to Australian Standards
- Suitable for all Pyropanel fire rated doorsets up to 2 hours FRL (AS1530.4, BS 476)
- Up to 40 STC (Rw) rating
- Does not reduce clear opening width
- Extremely cost effective and durable
- Relief from slamming doors
- No adhesives required - simply pressed into the frame after painting
- Reduces medium (200°) and ambient temperature smoke transmission
- Completely concealed when door is closed
- Stops dust
- Can be easily removed, cleaned and refitted into the 10mm x 10mm rebate
- Tested and Approved for 1hour fire rated Pyropanel Life Safety Doors (certified smoke doors) with less than 2m³/h of smoke leakage on selected Life Safety Door models (*Refer Life Safety door section of product manual*)
- Preformed pressed metal doorframes available from all Pyropanel licensed distributors to suit a wide variety of wall types (*Refer tech sheet FRAME-04 for full range of Euroseal pressed metal door frames*)
- DXF files of frames available from the Pyropanel website
- See over for correct installation instructions

OPTIONAL EXTRAS

Typical detail for steel door frame



Typical detail for timber door frame



HOW TO SPECIFY

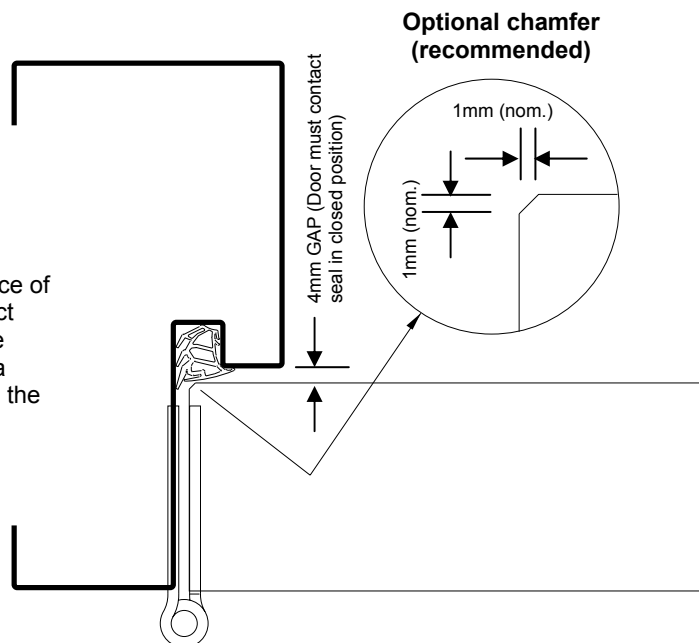
Eg, "Perimeter door seal to be a Pyropanel Euroseal® concealed medium temperature smoke and acoustic seal, installed into a pressed metal door frame / timber door frame* to suit appropriate wall type and fire rating"

* denotes example - delete or change or specify as required

INSTALLATION

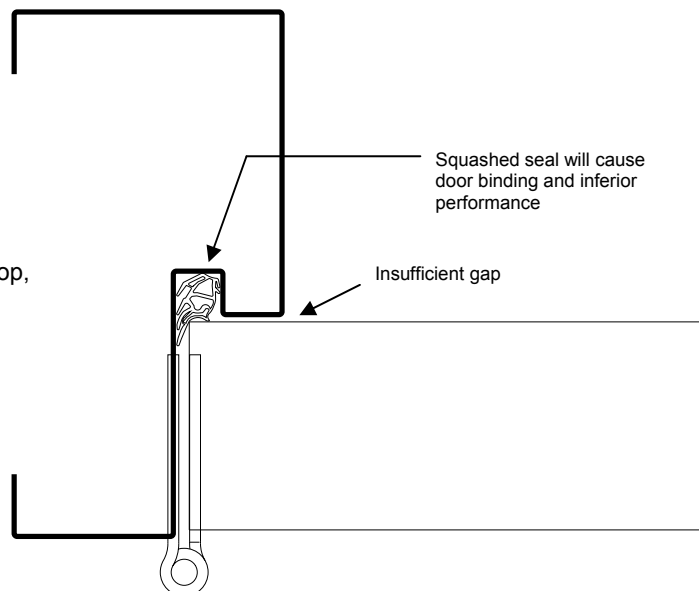
CORRECT INSTALLATION

Correct installation requires a 4mm gap between the face of the door and the door stop. This provides for the correct compression of the seal, and allows the door to operate properly. It is also possible (but not required) to apply a slight chamfer the corner of the door to further increase the performance of the seal (see insert).



INCORRECT INSTALLATION

Incorrect installation occurs where there is insufficient clearance between the face of the door and the door stop, causing too much compression of the Euroseal, which results in damage to the seal, and jamming doors.



NOTE: Correct closer selection is important for ALL doors fitted with compression seals. (If in doubt, please contact your hardware supplier to determine suitability)