

ACCESSORIES

Pyropanel Pyrosill

TECH SHEET: ACC-05

Issue: 08-09-06

Floor mounted fire rated acoustic and smoke sill seal

DESCRIPTION

An aluminium floor mounted fire rated sill seal incorporating a silicon based seal that reduces the passage of sound and smoke through fire doors.

APPLICATIONS

Commercial and domestic applications requiring a high performance acoustic and smoke seal. Has been tested with Pyropanel Acoustic doors for up to 47Rw of acoustic resistance

FEATURES

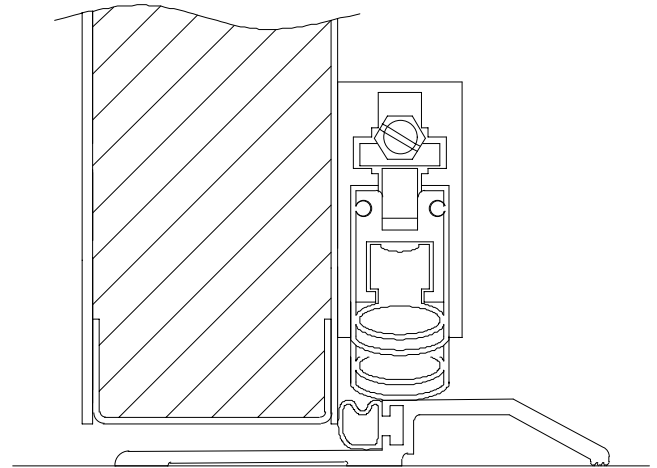
- Slimline design - only 12.5mm high
- replaceable rubber seal
- Easy to install
- fire rated for up to

CLEARANCES

Max clearance under door before installing Pyrosill = 8mm
Min clearance under door before installing Pyrosill = 4mm
Max clearance under door to Pyrosill = 5mm
Min clearance under door to Pyrosill = 1mm

HOW TO SPECIFY

"Door seal to be a Pyropanel Pyrosill seal fire rated acoustic smoke seal..."



Example of Pyrosill installed at base of Pyropanel AS-47-Special acoustic door with Zero 367A, test to 47 RW for acoustic rating

