

FIRE COLLARS

Retrofit Fire Collar (Multi-fit)

TECH SHEET: PAS-02

Issue: 15-09-06

Retrofit fire collar suitable for sealing most types of plastic pipes passing through concrete slabs and walls

Page 1 of 2

DESCRIPTION

A bolt on, steel cased retro-fit fire collar housing an intumescent material which is activated in the event of fire, crushing the plastic pipe and sealing against the passage of flame and hot gases. The intumescent material is unaffected by water, atmospheric influences and industrial environments, and is also resistant to dilute acids, alkalis, paints and conventional construction materials such as gypsum, lime, cement and adhesives.

APPLICATIONS

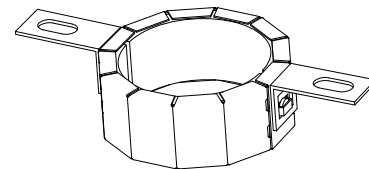
Suitable for use in fire rating plastic pipes passing through floors in high residential construction, flats, townhouses, apartments, civil projects, health care and aged care facilities, offices, etc.

FEATURES

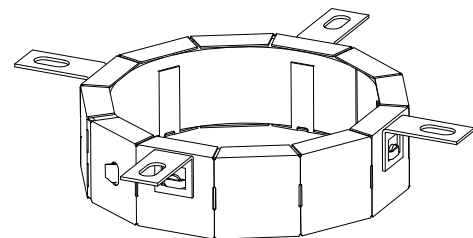
- Fully certified to Australian Standards AS1530.4 and AS4072.1
- 2 collar sizes service pipe sizes from 32-100mm (nom)
- Low height of collar ensures maximum clearance for pipe fittings
- Removable attachment clips
- Quick and easy to install - no adjustment necessary
- A cost effective fire stopping solution
- Single fit collars available for a wider range of pipe types.
- Approved for installation on underside of masonry slabs, and attached to either side of masonry walls
- 10 year warranty on intumescent material
- Australian made

INSTRUCTIONS

- Core hole desired penetration size, ensuring to keep core hole to a minimum.
- Seal gaps (up to 10mm) between pipe and slab / wall with Pyropanel Multiflex fire rated acrylic sealant to create a smoke seal if desired
- Seal gaps larger than 10mm (if core hole is over sized) with Pyropanel M4 fire rated mortar or concrete.
- Clip collar around pipe - no adjustment of collar size is necessary - collar is approved as is!
- Attach collar to underside of slab or to either side of wall using steel fixings (Dynabolts, steel, knock-ins).
- Seal any gap between collar and underside of slab or wall with Pyropanel Multiflex fire rated acrylic sealant (do not seal between pipe and inside of collar).



RF32-50



RF65-100

HOW TO SPECIFY

Eg, "Fire Collars to be Pyropanel 'RF Multi' Retro-fit fire collars , installed as per manufacturers instructions"

MODELS AVAILABLE

Model	To suit nominal pipe (mm)	Actual PVC pipe O.D (mm)	Collar opening	Collar height	Collar width	Floor application	Wall Application (masonry only)
RF32-50	32-50	36-56	64	32	114	uPVC: -/240/240 HDPE, PP: -/180/180	uPVC: -/180/180 PE, PP: -/240/240
RF65-100	65-100	69-110	126	43	174	uPVC: -/180/180 HDPE, PP: -/240/240	uPVC: -/60/60

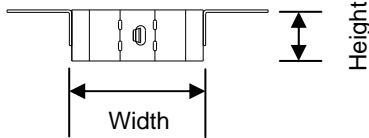
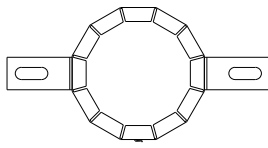


Pyropanel Developments Pty Ltd
 122-124 Beresford Rd, Lilydale, VIC, 3140
 Ph: (03) 9739 3100 Fax: (03) 9739 3115
 Email: sales@pyropanel.com.au
 Web: www.pyropanel.com.au

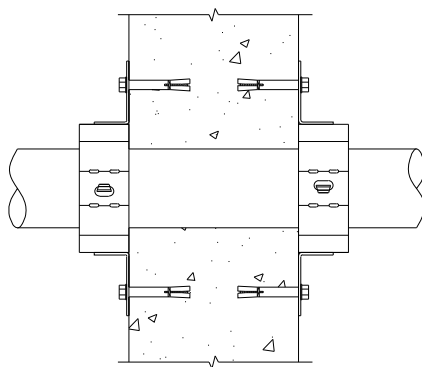
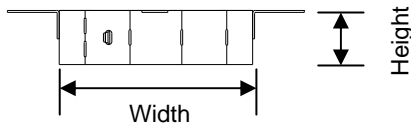
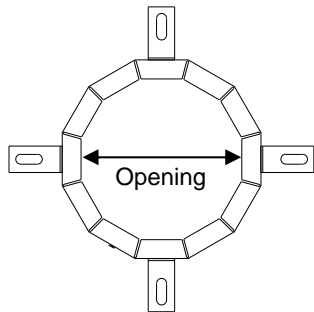
Distributed by:

BUILDING IN DETAILS

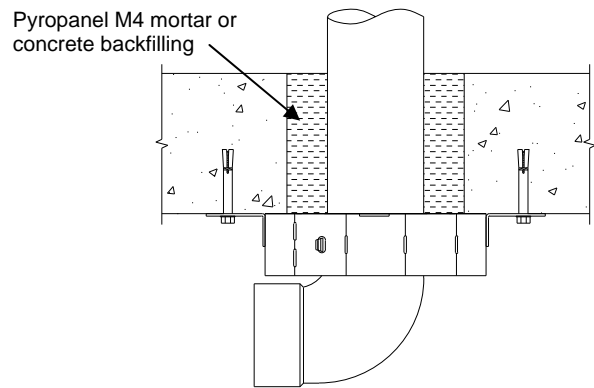
RF32-50



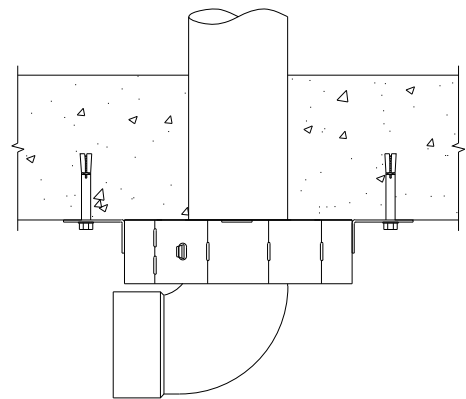
RF65-100



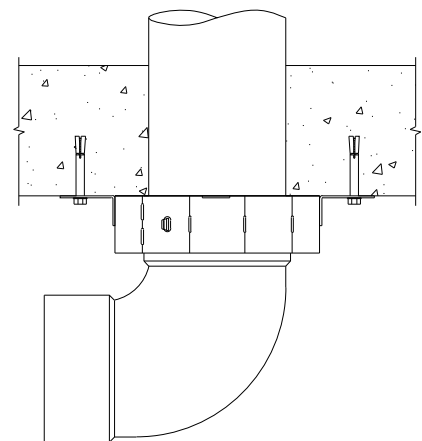
Typical wall application showing a RF32-50 fitted to both sides of a masonry wall



Typical floor application showing a RF65-100 fitted to underside of slab, with 65mm pipe and backfilled where penetration was cut too large (oversized core hole)



Typical floor application showing a RF65-100 fitted to underside of slab, with 65mm pipe and elbow.



Typical floor application showing a RF65-100 fitted to underside of slab, with 100mm pipe.