

FIRE RATED ACCESS PANEL

4hr fire rated wall access panel

TECH SHEET: PANEL-03

Issue: 03-05-2011

Hinged or screw fixed wall access panel with 4 hr fire rating

DESCRIPTION

Hinged or screw fixed wall access panel suitable for installation in masonry walls with a pressed metal frame or T-section frame, with a -/240/60 or -/240/120 fire rating.

APPLICATIONS

Shops, offices, apartments, factories and any application where access needs to be achieved through a fire rated wall.

FEATURES

- Insulated for 60 or 120 minutes
- Ply or steel facing available
- Suitable for masonry, concrete or plaster walls
- Screw fixed at 500mm centres on all sides, or hinged with budget locks at 500mm centres on lock side.
- 48mm or 73mm thick
- Medium and hot temperature smoke seals, fire seals, and acoustic seals available
- Standard 4 sided pressed metal door frame with 25mm doorstops available in a variety of profiles (see *fire rated frame profiles*), or
- T-Section frame available (screw fix only) comprised of 2 welded 25mm x 25mm x 3mm steel angles
- Single leaf configurations only
- Recommended hinge configuration:
 - up to 2040 x 600 = 3 hinges.
 - up to 2200 x 600 = 4 hinges.

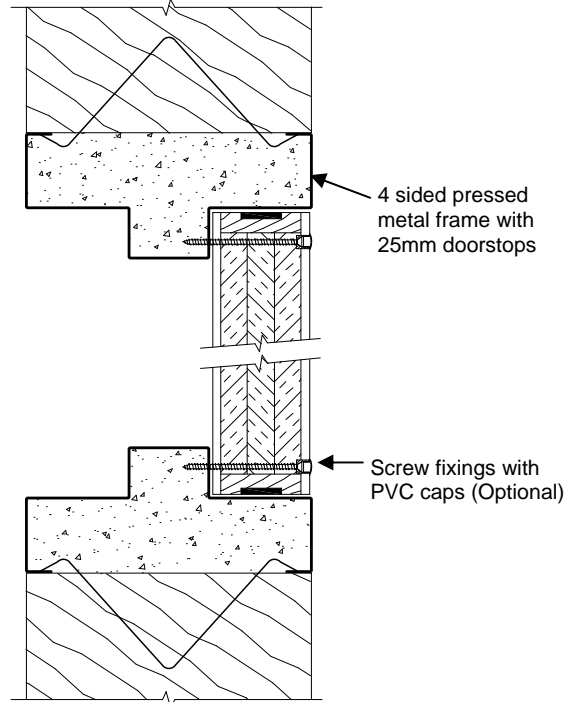
MODELS

Model	FRL	Thickness (mm)	Max size (mm)
PWAP-240/60	-/240/60	48	2200 x 600
PWAP-240/120	-/240/120	73	2200 x 600

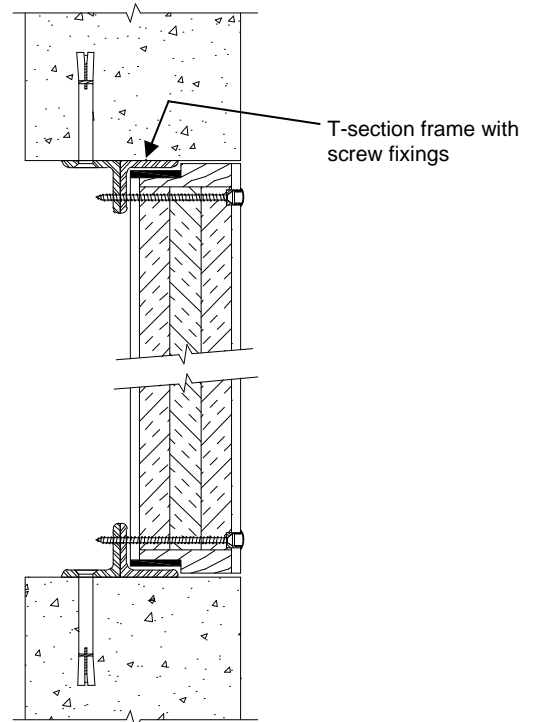
HOW TO SPECIFY

"Eg. Access panel to be a Pyropanel fire rated wall access panel PWAP-240/60, 48mm thick, -/240/60, Ply face, with hinges and budget locks / screw fixings"

* denotes example - delete, change or specify as required.



Wall panel with pressed metal door frame



Wall panel with T-Section frame

PYRO PANEL
Protecting Life & Property

Pyropanel Developments Pty Ltd
122-124 Beresford Rd, Lilydale, VIC, 3140
Ph: (03) 9739 3100 Fax: (03) 9739 3115
Email: sales@pyropanel.com.au
Web: www.pyropanel.com.au

Distributed by: