

LIFE SAFETY DOOR

LSD-60-C/M/HS/EU

TECH SHEET: LSD-60-C/M/HS/EU

Issue: 02-08-2011

Tested and Certified Fire, Smoke and Acoustic door

DESCRIPTION

60 minute Fire Rated Life Safety Door that has been tested and certified for fire resistance as per AS1530.4, tested and certified for smoke leakage as per AS1530.7, incorporating the Pyropanel Euroseal frame profile and high performance cold / medium smoke seals, & intumescent hot smoke seal.

APPLICATIONS

Ideal for Apartment entry doors or anywhere that requires 60 minutes of certified fire resistance, smoke resistance and acoustic resistance.

FEATURES

- **SMOKE RESISTANCE (SRL): COLD / MEDIUM / HOT**
- **FIRE RESISTANCE (FRL): -/60/30**
- Tested and certified to AS1530.7 for Smoke Leakage
- Tested and certified to AS1530.4 for Fire Resistance
- Some acoustically tested (filled metal or timber frame)
- 1.2mm or 1.4mm Pressed Metal Euroseal Frames, or Fire Rated Plantation Timber Frames
- 48mm and 38mm thick, Single and Pair assemblies
- Environmentally friendly non-timber core
- Fully tagged with FRL and SRL door tags
- Lighter than conventional 'solid-core' doors (leaf weight approximately 22kg/m² for 48mm thick door)
- Maximum size - Singles - 2400 x 1020mm (48mm)
- 2040 x 820mm (38mm)
- Pairs - 2400 x 1020mm per leaf (48mm)
- Meets the deemed to satisfy provisions for Smoke Doors found in Specification C3.4 Clause 3.2(b) of the BCA
- All pair assemblies are smoke tested with Pyropanel J-Section meeting stiles

SEAL COMBINATIONS

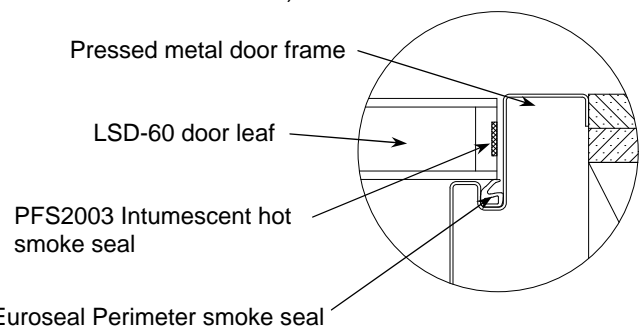
Frame Details	Leaf Thickness (mm)	Cold/Medium perimeter smoke Seal	Hot smoke seal	Bottom Seal	Smoke Leakage 2040x820 single (@10Pa)	Smoke Certificate (820 single)	Rw 48mm/38mm
Pressed metal or Fire Rated timber with Euroseal Rebate	48 or 38	Euroseal	PFS2003	RP38Si# (S)	<2m ³ /h	SFC40965	30 / -
Pressed metal or Fire Rated timber with Euroseal Rebate	48 or 38	Euroseal	PFS2003	RP99Si (SM)	<2m ³ /h	SFC40966	30 / 27
Pressed metal or Fire Rated timber with Euroseal Rebate	48 or 38	Euroseal	PFS2003	RP8Si (FM)	<2m ³ /h	SFC40964	30 / -
Pressed metal or Fire Rated timber with Euroseal Rebate	48	Euroseal	PFS2003	IS8090Si (S)	<2m ³ /h	SFC40963	30

Note:# indicates default seal combination (supplied unless other seals specified)

Bottom Seal Orientation: SM- Semi Morticed, FM- Fully Morticed, S- Surface Mounted

OPTIONAL EXTRAS

- MDF, Ply or Laminate facings
- Solid hardwood frames
- Steel frames
- Vision panels - 300 x 200 or 600 x 100mm.
- Kick Panels of 1mm Stainless Steel to selected height
- Non-Euroseal frame profile (see LSD-60-C/M/HS)
- Pre-hung assembly available
- -/- and -/30/30 models available (see LSD-0-C/M/HS/EU and LSD-30-C/M/HS/EU)



HOW TO SPECIFY

"Door to be a Pyropanel Life Safety Door LSD-60-C/M/HS/EU or **equally tested and certified** with Euroseal Pressed Metal /Fire Rated Timber* door frames, 48mm* thick, -/60/30 FRL, certified smoke leakage, MDF/Ply face*, with Euroseal, RP38Si* and PFS2003 smoke seals, and the following options: (eg, vision panels, kick panels, etc),"

* denotes example - delete, change or specify as required

MORE INFORMATION

For more information on the range of Pyropanel Life Safety Doors, please refer to the Life Safety Door System Guide available for download at www.pyropanel.com.au.



Pyropanel Developments Pty Ltd
122-124 Beresford Rd, Lilydale, VIC, 3140
Ph: (03) 9739 3100 Fax: (03) 9739 3115
Email: sales@pyropanel.com.au
Web: www.pyropanel.com.au

Distributed by: