

FIRE RATED GLAZING

Pyrostop -/90/90 fire window

TECH SHEET: FW-05

Issue: 22-02-11

Fire rated window, -/90/90 using Pilkington Pyrostop™ clear glass in an insulated steel frame

Page 1 of 3

DESCRIPTION

Insulated steel framed fire rated window providing 90 minutes integrity and 90 minutes of insulation protection with Pilkington Pyrostop™ perfectly clear insulating glass, this system is a great solution for applications requiring certified fire resistance for both integrity and insulation and the added safety benefit of radiation protection.

APPLICATIONS

Fire escapes, smoke lobbies, computer rooms, car parks and factories, boundary walls, or wherever there is a need for integrity and insulation protection, with the need to protect the building and occupants against the spread of fire due to radiant heat transmission.

FEATURES

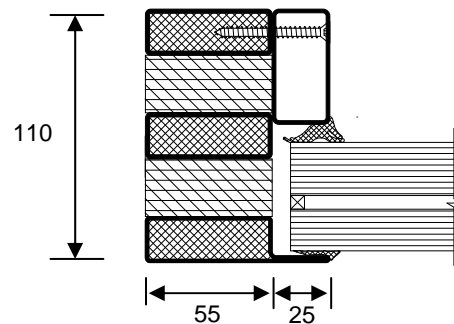
- Fully certified to Australian Standards AS1530.4
- -/90/90 FRL using 47mm Pilkington Pyrostop™ for both internal and external applications
- Reduces radiant heat transmission by over 98%
- Internal and External applications
- Very high light transmission value
- Forster® insulated framing system
- Class A impact rated to AS2208
- For use in fire rated masonry walls.
- Single or Multiple panes up to 2400h x 1415w (visible) (2560 x 1575 overall frame size) (**recommended max size: 1.5m² due to weight of system - Larger sizes are available upon request, however highly specialised lifting and glazing equipment will be required**)
- Arched windows
- Can be integrated into steel framed -/60/30 glass fire doors (*Contact Pyropanel for more information*)
- Standard finish is Prime Painted, ready for undercoating and top coat

OPTIONAL EXTRAS

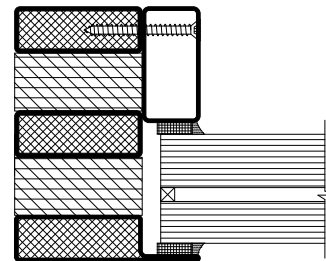
- Powdercoating
- Tinted films

MODELS AVAILABLE

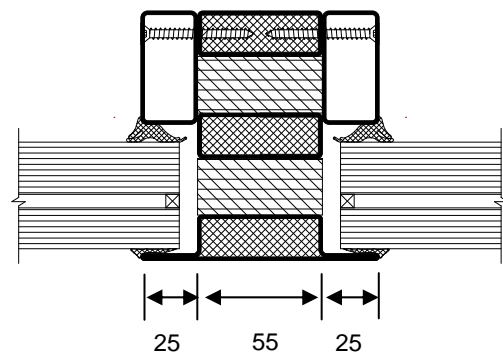
Model	FRL	Glass Thickness	Max Pane size (visible)
PFWS-PS90/90	-/90/90	47mm	2400 x 1415*



Standard profile with rubber beading (internal application)



Standard profile with silicone beading (internal or external application)



Standard mullion and transom profile

Continued...

HOW TO SPECIFY

Eg, "Window to be fully test and certified Pyropanel Fire Window **PFWS-PS90/90**, -/90/90 FRL, incorporating Forster insulated steel frame and 47mm*Pilkington Pyrostop™ clear intumescent glass, with rubber beading / silicone weather seal*. System available from Pyropanel Developments"

* denotes example - delete or change or specify as required



Pyropanel Developments Pty Ltd
 122-124 Beresford Rd, Lilydale, VIC, 3140
 Ph: (03) 9739 3100 Fax: (03) 9739 3115
 Email: sales@pyropanel.com.au
 Web: www.pyropanel.com.au

Distributed by:

GLASS DATA

Product	Nominal Thickness (mm)	Application	Integrity (mins)	Insulation (mins)	Sound Reduction (Rw)	Light transmission %	Approx weight of glass (kg/m ²)	Approx weight of glass and frame (kg/m ²)
Pyrostop™	47 IGU (23+6+18)	Internal / External	90	90	43	75	96	120

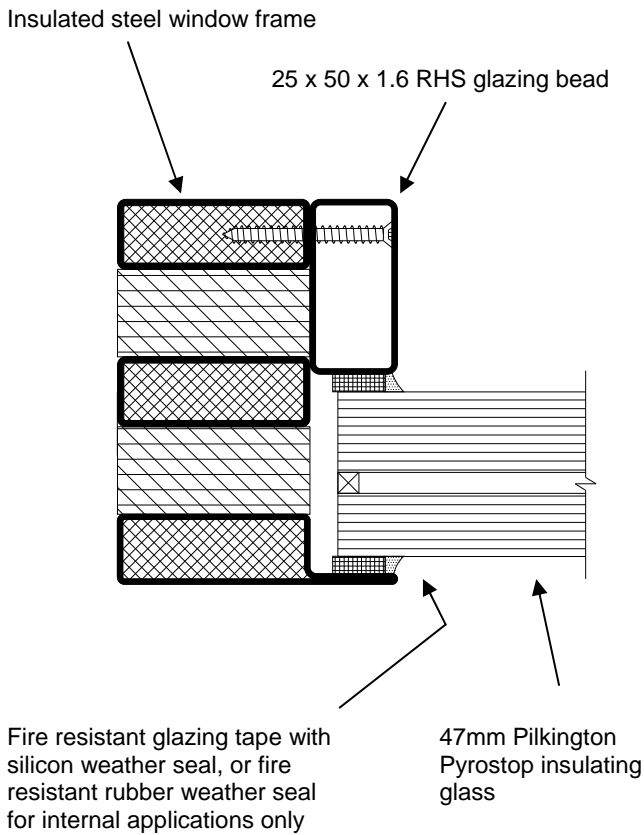
SYSTEM DETAILS

Standard system

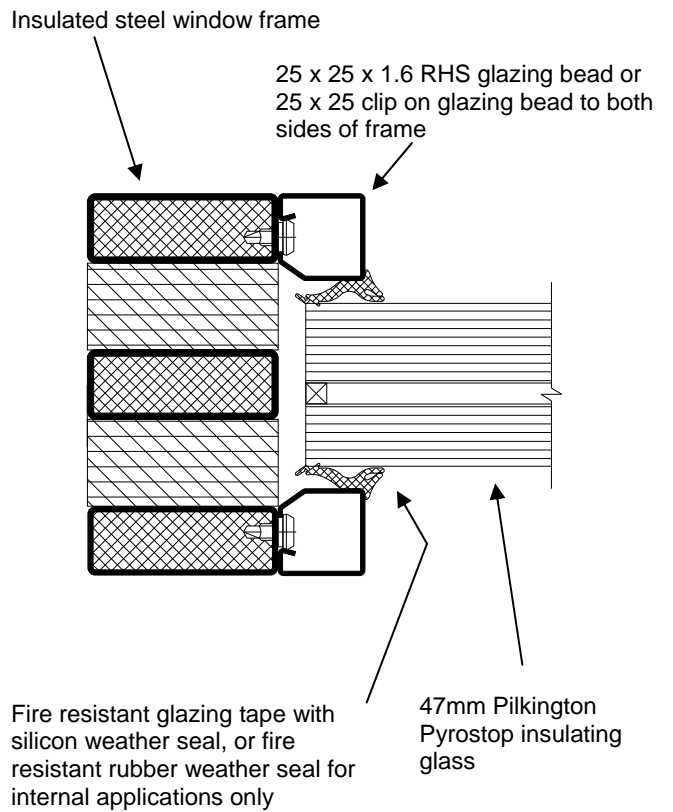
- Off set glazing
- Silicon weather sealing for internal or external applications (wet glazing), or optional rubber weather stripping for internal application only (dry glazing)

Optional glazing system

- Centre glazing
- Silicon weather sealing for internal applications only (wet glazing), or optional rubber weather stripping for internal application only (dry glazing)
- Frame profile may require extended lead times



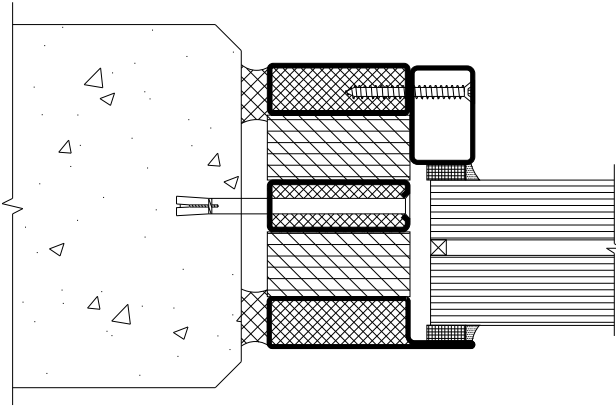
Standard off set glazing profile (internal or external application)



Alternative centre line glazing profile (internal application only)
Note: this frame profile may require extended lead times

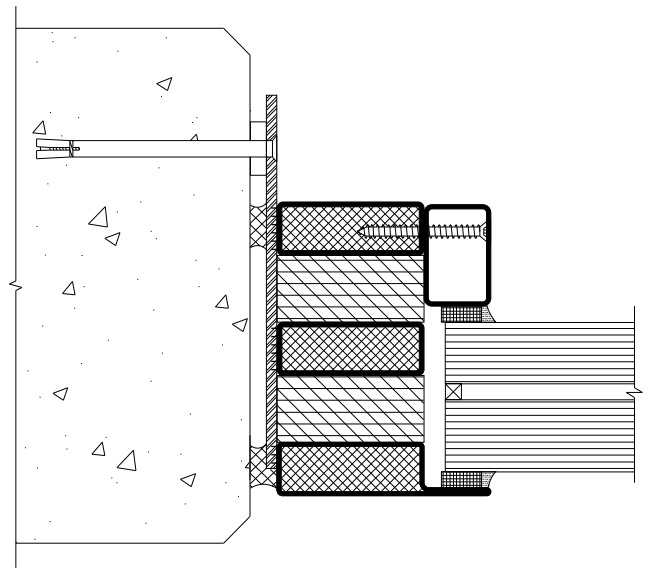
Continued...

BUILDING IN AND FIXING TYPE DETAILS



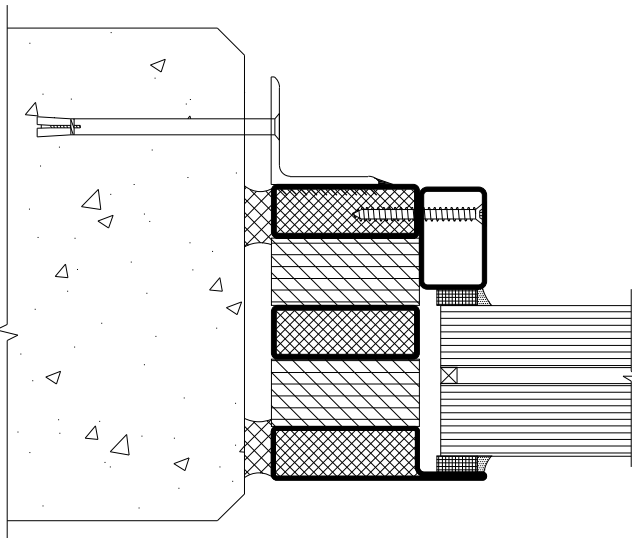
Fixing type FTFC01

M6 Flat head Dynabolt into masonry wall or 12G screws into fire rated Gyprock wall through steel frame, at max 600mm centers. Can only be used for site glazed applications. Fixings to 3 sides minimum (4 recommended)



Fixing type FTFC03

M6 Dynabolt into masonry wall or 12G screws into fire rated Gyprock wall through 150 x 50 x 2.5 welded steel plate at max 600mm centers. Can be used for factory glazed or site glazed applications. Fixings to 3 sides minimum (4 recommended)



Fixing type FTFC02

M6 Dynabolt into masonry wall or 12G screws into fire rated Gyprock wall through 75 x 75 x 3mm welded steel angle sections at max 600mm centers. Can be used for factory glazed or site glazed applications. Fixings to 3 sides minimum (4 recommended).