

FIRE RATED GLAZING

Pyrodur™ -/60/- fire window

TECH SHEET: FW-03

Issue: 22-02-11

Fire rated window, -/60/-, using Pilkington Pyrodur™ clear insulating glass in a steel frame

Page 1 of 2

DESCRIPTION

Steel framed fire rated window providing one hour of integrity only protection with perfectly clear Pilkington Pyrodur™ insulating glass, this system is a great solution for applications requiring certified fire resistance, with a requirement for clear glass and the added safety benefit of radiation protection.

APPLICATIONS

Car parks, factories and boundary walls, domestic houses or wherever there is a need for integrity only protection with a need to protect the building and occupants against the effect of radiant heat transmission.

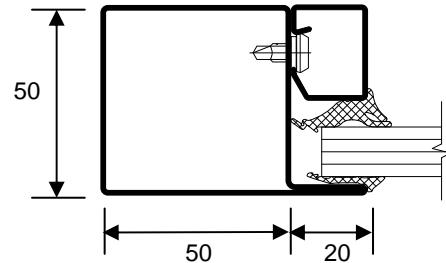
FEATURES

- Fully certified to Australian Standards AS1530.4
- -/60/- FRL
- Reduces radiant heat transmission by 90%
- Glass provides at least 10 minutes of insulation protection
- Internal and External applications
- 13mm Pilkington Pyrodur™ insulating clear glass (18mm Pilkington Pyrostop may be used on large panes)
- Non insulated Forster® Presto steel framing system
- Class A impact rated to AS2208
- For use in fire rated masonry walls.
- Single panes up to 2900 x 1400 per pane
- Multi panes up to 2900 x 1400 per pane
- Multi pane systems up to 4m high, no limitation on span
- Arched windows
- Can be integrated into steel framed glass fire doors (Contact Pyropanel for more information)
- Standard finish is Prime Painted, ready for undercoating and top coat

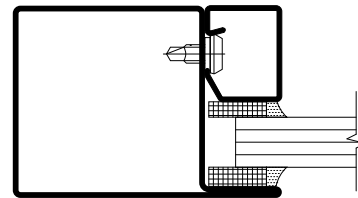
OPTIONAL EXTRAS

- Stainless Steel frames
- Powdercoating
- Tinted films

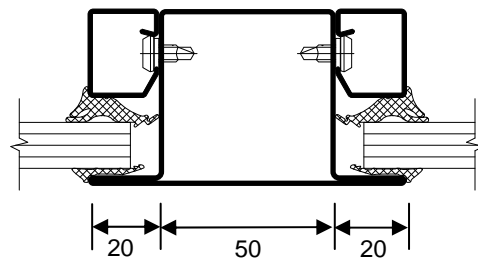
PROFILES



Standard profile with rubber beading (internal application)



Standard profile with silicone beading (internal or external application)



Standard mullion and transom profile

MODELS AVAILABLE

Model	FRL	Glass Thickness	Max pane size - Single or continuous
PFWS-PD60/-	-/60/-	13mm/19mm	2900 x 1400

Note: 19mm will be used on sizes greater than 2600 x 700, or 1800 x 1300, or linear transition between these sizes

HOW TO SPECIFY

Eg, "Window to be fully test and certified Pyropanel Fire Window **PFWS-PD60/-**, -/60/- FRL, incorporating Forster non-insulated steel frame and 13mm Pilkington Pyrodur™ clear intumescent glass, with rubber beading / silicone weather seal*. System available from Pyropanel Developments"

* denotes example - delete or change or specify as required

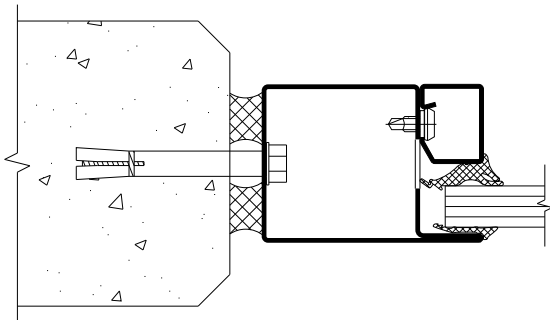


Pyropanel Developments Pty Ltd
122-124 Beresford Rd, Lilydale, VIC, 3140
Ph: (03) 9739 3100 Fax: (03) 9739 3115
Email: sales@pyropanel.com.au
Web: www.pyropanel.com.au

Distributed by:

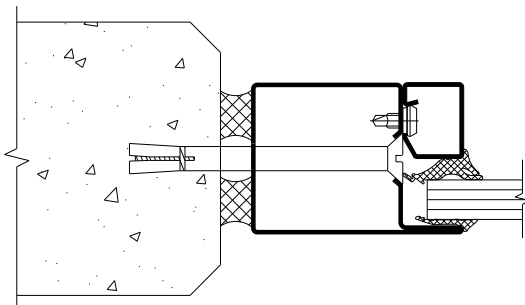
WALL ABUTMENTS AND BUILDING IN DETAILS

All windows must be tightly sealed to surrounding fire rated wall using Pyropanel Multiflex fire rated acrylic sealant or approved equivalent. For external applications, an additional layer of weather resistant silicone must be applied to the exposed Multiflex to create a water resistant barrier. All required flashings are by builder or other parties. Most fixings are approved for most wall types.



Fixing type FTP01

M6 Dynabolt into masonry wall at max 600mm centers. Can only be used for site glazed applications. Fixings to 3 sides minimum.



Fixing type FTP02

M6 Flat head Dynabolt into masonry wall at max 600mm centers. Can only be used for site glazed applications. Fixings to 3 sides minimum.

GLASS DATA

Product	Nominal Thickness (mm)	Application	Integrity (mins)	Insulation (mins)	Sound Reduction**	Light transmission %	Approx weight of glass (kg/m ²)	Approx weight of glass and frame (kg/m ²)
Pyrodur™	13	Internal / External	60	-	38	86	31	32



Pyropanel Developments Pty Ltd
 122-124 Beresford Rd, Lilydale, VIC, 3140
 Ph: (03) 9739 3100 Fax: (03) 9739 3115
 Email: sales@pyropanel.com.au
 Web: www.pyropanel.com.au

Distributed by: