

# FIRE RATED GLAZING

## Georgian wired -/60/- fire window

TECH SHEET: FW-01

Issue: 08-09-06

Fire rated window, -/60/-, using Georgian wired glass in a steel frame

### DESCRIPTION

Steel framed fire rated window providing one hour of integrity only protection, this budget priced system is a great solution for applications requiring certified fire resistance without the need for radiation protection, insulation protection, or the need for perfectly clear glass.

### APPLICATIONS

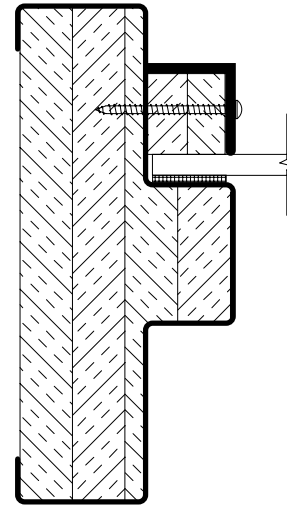
Car parks, factories and boundary walls, or wherever there is a need for integrity only protection without a requirement for protection against the spread of fire due to heat transfer. This glass does not provide any level of radiation protection and should not be used in an escape route or where occupants could be exposed to radiant heat.

### FEATURES

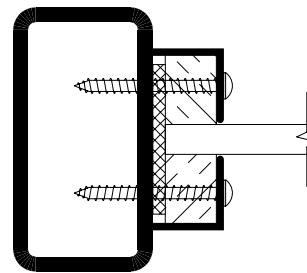
- Fully certified to Australian Standards
- -/60/- FRL
- 6mm Georgian wire clear glass (eg, Pilkington Pyroshield®) with 10mm squared wire reinforcement
- Pressed metal or RHS frame system
- Class B impact rating to AS1288 (not suitable for applications requiring class A safety glass)
- For use in 1hr timber and steel stud walls, all fire rated masonry walls, gypsum block walls, aerated concrete blocks and wall panels. *Refer to Pyropanel if your wall type is not listed.*
- All frames must be fully packed with Rockwool, Pyropanel FR board, Fire rated plaster, Mortar or concrete
- Single panes up to 1070 x 1000 visible
- Multi-lites with panes up to 1030 x 910 visible (total assembly size - max 2280 x 1040)
- Arched windows available

### OPTIONAL EXTRAS

- Galvanised frames
- Stainless Steel frames
- Double glazing
- Mullions and transoms
- Obscure films



Standard pressed metal window profile



Alternative RHS window profile  
(not recommended for external applications)

### MODELS AVAILABLE

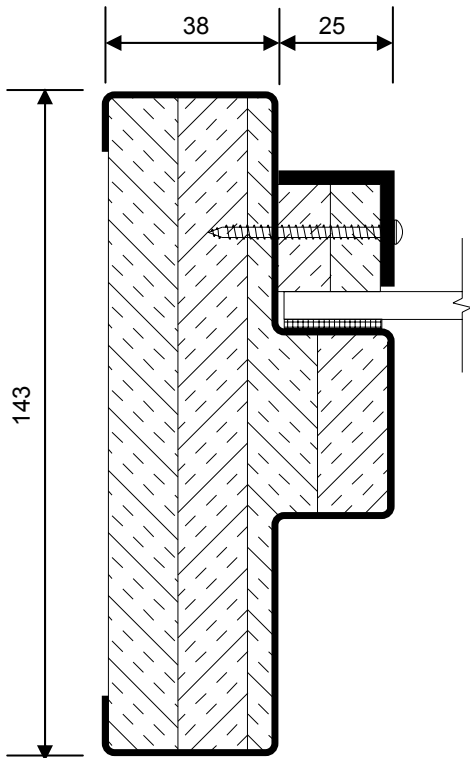
Model	FRL	Glass thickness	Max visible glass	Max overall frame size (approx)
PFWS-GW60/-	-/60/-	6mm	1070 x 1000	1200 x 1130

### HOW TO SPECIFY

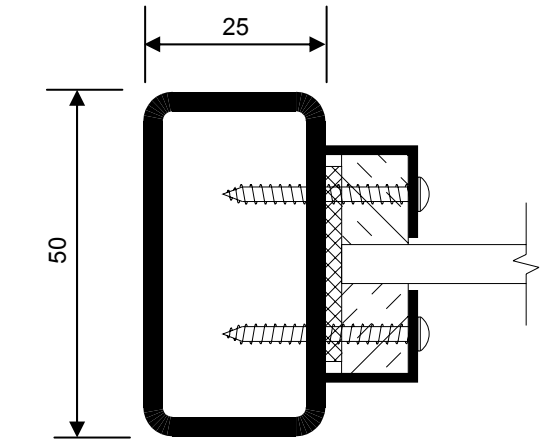
Eg, "Window to be a Pyropanel **PFWS-GW60/-** Certified -/60/- FRL fire window, incorporating 6mm Georgian wired glass, mounted in pressed metal window frame\*, prime paint / powdercoat / galvanised / stainless steel\* finish, (builder to fully pack frame as required)"

\* denotes example - delete or change or specify as required

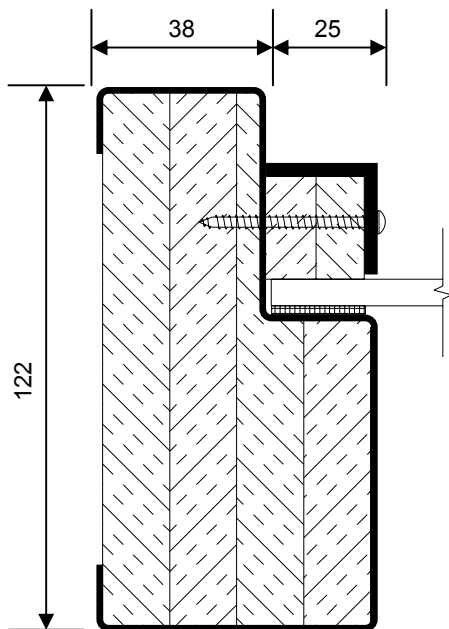
**TYPICAL SECTIONS**



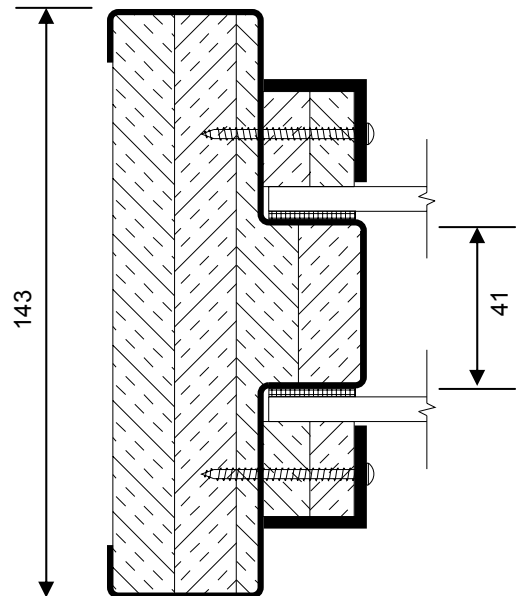
Pressed metal double rebated window frame



RHS window frame  
 (not recommended for external applications)

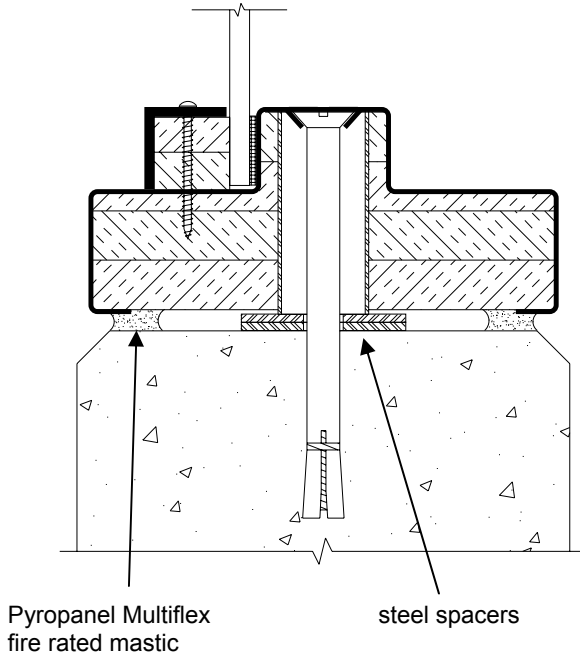


Pressed metal single rebated window frame

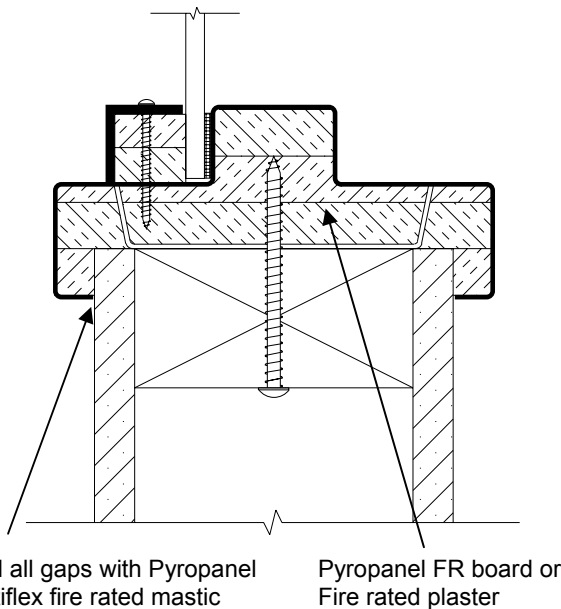


Pressed metal single rebated window frame with double glazing

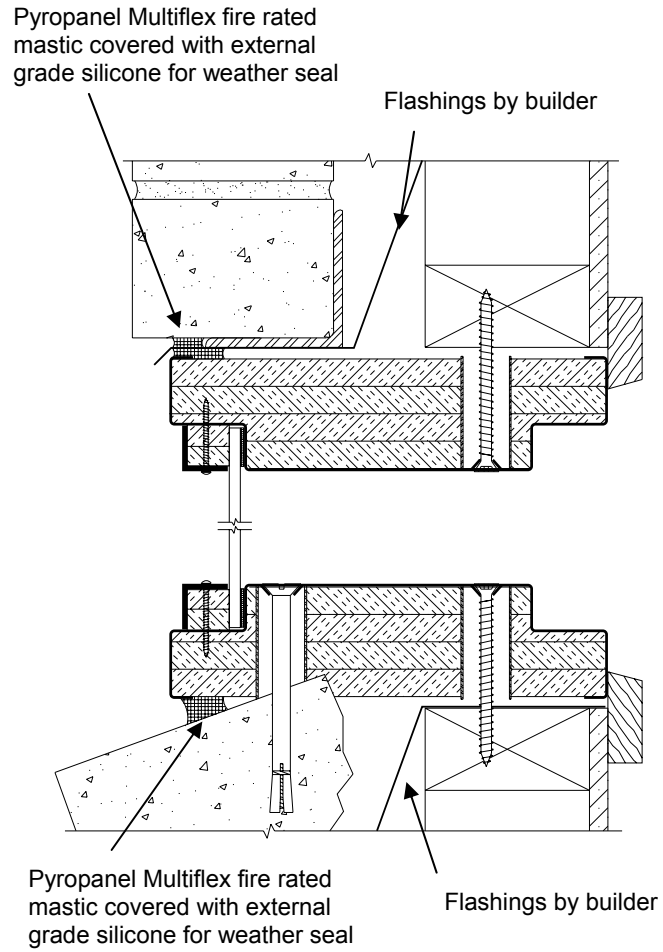
**WALL ABUTMENTS AND BUILDING IN DETAILS**



**Typical wall fixing for masonry and pre-cast concrete walls**



**Typical wall fixing for masonry and pre-cast concrete walls**



Ensure all gaps are tightly sealed with fire rated sealant, and that the frames are fully packed with Pyropanel FR board, Fire rated plaster, mortar or concrete. Back of window frame must abut fire rated element of wall (generally brick).

**Suggested fixing detail for brick veneer applications**