

FRAME PROFILES

2 hr Timber Fire Rated Frames

TECH SHEET: FRAME-07

Issue: 09-06-2010

**2 hr Timber Fire Rated Door Frames
with integrated intumescent hot
smoke seal**

DESCRIPTION

2hr Timber Fire Door Frames suitable for use with Pyropanel Fire Door leaves for applications requiring up to 2 hour of Fire Resistance. Frames come with a pre installed paintable intumescent hot smoke seal and an integrated Lorient HP1612BW medium/hot smoke seal.

APPLICATIONS

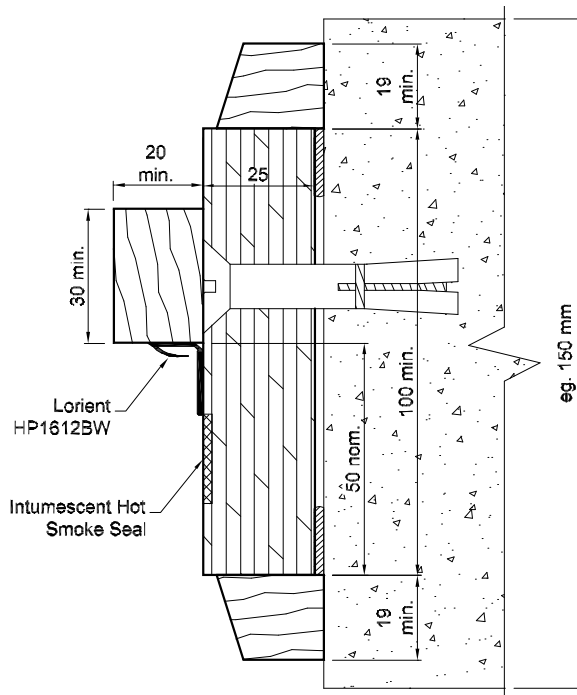
Ideal for most applications that require a two hour certified fire door requiring a two hour timber fire rated door frame, especially in residential complexes, fire escapes, hospitals, schools, public buildings, etc., and applications that may experience high levels of airborne salt water.

FEATURES

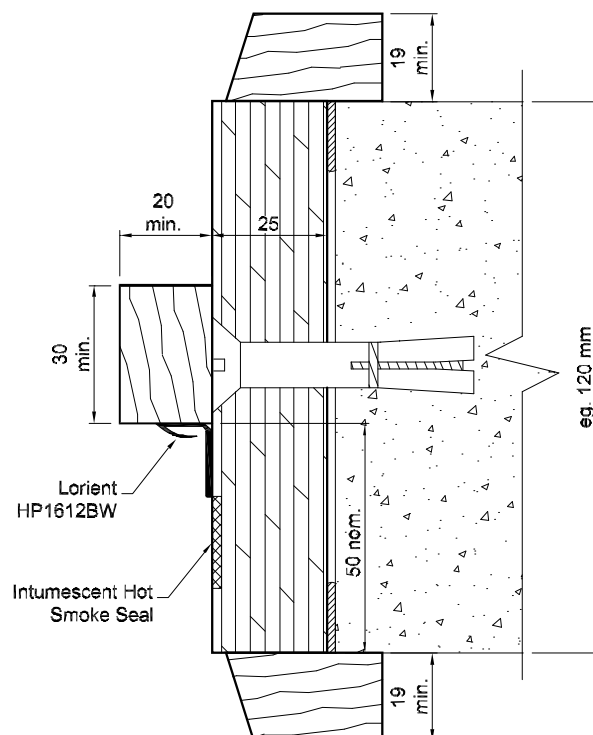
- Suitable for Pyropanel fire doors up to -/120/30 FRL.
- Max Door Size = 2100 x 920mm
- Frame Stile dimensions - Min 100 x 25mm - Wider frames available to suit project specific wall thickness.
- Solid hardwood door stop - Typically 38mm wide X 20mm deep (minimum size is 30mm x 20mm, custom sizes available).
- Integrated intumescent hot smoke seal.
- Solid hardwood timber architraves of thickness not less than 19mm must be installed over edge of frame (typically not included as part of frame package).
- Frame fixing covered by door stops.
- No patching of fixing holes - save time and mess on site.
- Manufactured from high quality Pyropanel Fire Rated Laminated timber.
- Suitable for masonry (including hollow block) walls.
- Can be supplied with optional pre-hung fire door (on request)
- Refer tech sheet FRAME-04 for timber door frames suitable for ratings up to -/60/30.

HOW TO SPECIFY

"Door frame to be a Pyropanel 2 hr Fire Rated Timber Door Frame, fully certified and approved for use with Pyropanel Fire Rated doors up to 2hr FRL, with integrated hot smoke seal and integrated Lorient HP1612BW medium/hot smoke seal".



Typical frame profile for thicker walls - note concealed frame fixings and architrave arrangement.



Typical frame profile for thinner walls - note concealed frame fixings and architrave arrangement.



Pyropanel Developments Pty Ltd
122-124 Beresford Rd, Lilydale, VIC, 3140
Ph: (03) 9739 3100 Fax: (03) 9739 3115
Email: sales@pyropanel.com.au
Web: www.pyropanel.com.au

Distributed by: