

FRAME PROFILES

1 hr Timber Fire Rated Frames

TECH SHEET: FRAME-04

Issue: 03-08-2010

1 hr Timber Fire Rated Door Frames with integrated intumescent hot smoke seal

DESCRIPTION

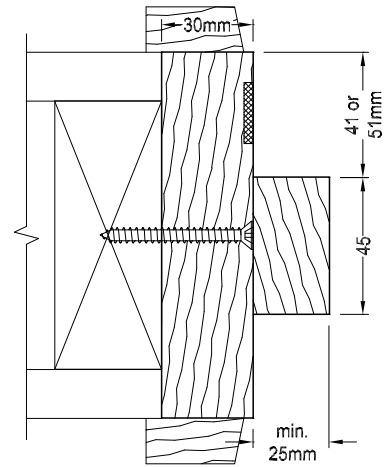
1hr Timber Fire Door Frames suitable for use with all Pyropanel Fire Door leaves for applications requiring up to 1 hour of Fire Resistance. Frames come with a pre installed paintable intumescent hot smoke seal suitable for stained door frames.

APPLICATIONS

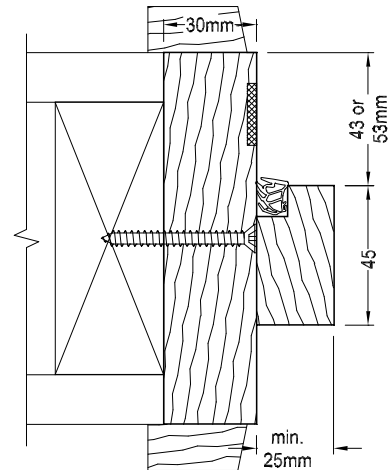
Ideal for most applications that require a one hour certified fire door set with a one hour timber fire rated door frame, especially in residential complexes as unit entry doors, hospitals, schools, public buildings, etc., and applications that may experience high levels of airborne salt water.

FEATURES

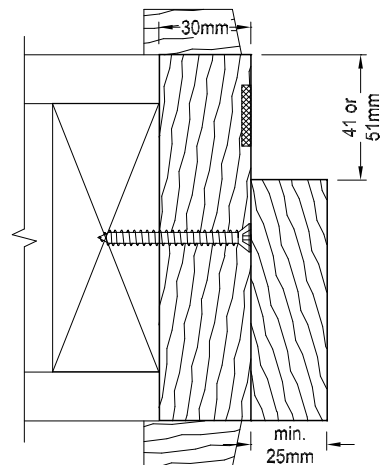
- Suitable for Pyropanel fire doors up to -/60/30 FRL
- Refer tech sheet FRAME-07 for timber door frames suitable for ratings up to -/120/30
- Stile dimensions - Max 140mm x 30mm, Min 85 x 30mm (larger dimensions available on request).
- Door stop - Min 45mm wide X 25mm deep (custom sizes available)
- Integrated intumescent hot smoke seal.
- Removable door stop covers predrilled frame fixing holes.
- Optional Euroseal ® rebated door stop.
- Manufactured from high quality hardwood.
- No patching of fixing holes - save time and mess on site.
- Can be supplied with optional pre-hung fire door.
- Hardwood architraves required.



Typical frame profile - note hidden frame fixings



Euroseal frame profile - note hidden frame fixings



Alternative frame profile (Single rebate)

HOW TO SPECIFY

"Door frame to be a Pyropanel 1 hr Timber Fire Rated Door Frame, fully certified and approved for use with Pyropanel Fire Rated doors up to 1hr FRL, with integrated hot smoke seal and optional Euroseal rebate*".

* denotes example - delete, change or specify as required



Pyropanel Developments Pty Ltd
 122-124 Beresford Rd, Lilydale, VIC, 3140
 Ph: (03) 9739 3100 Fax: (03) 9739 3115
 Email: sales@pyropanel.com.au
 Web: www.pyropanel.com.au

Distributed by: