

FIRE DOOR LEAVES

Timber glass fire doors

TECH SHEET: FD-05

Issue: 03-08-2010

Glass fire doors with timber edges, available in half and full lites, singles & pairs, -/60/30.

DESCRIPTION

Glass and Timber Fire door leaves utilising the latest Pyropanel fire resistant door core and design technology combined with Pilkington insulating glass, these doors are fully tested and certified to AS1530.4 and AS1905.1, and are available in a variety of sizes and finishes for 1 hour fire resistance levels.

APPLICATIONS

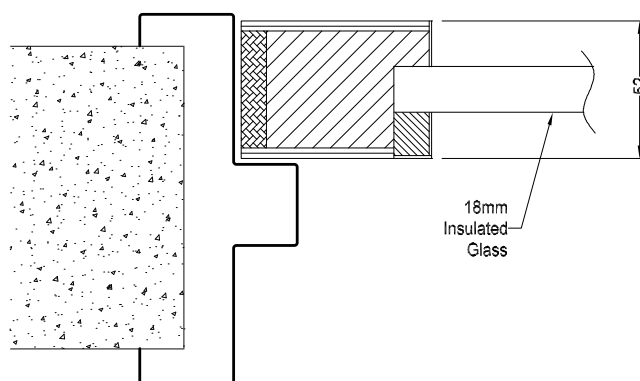
Ideal for most applications that require a certified fire door with the added safety and benefits of fire resistant glass, especially in hospitals, schools, car parks, shopping centres, offices, residential complexes, public buildings etc.

FEATURES

- Fully tested and certified for -/60/30 FRL.
- 1/2 lite or full lite configurations with std designs available
- For use in plasterboard stud walls & Masonry walls Refer to Pyropanel if your wall type is not listed.
- Paint grade Ply facings as standard.
- 1/2 lite available in pairs, full lite in singles only.
- Incorporates 18mm Pilkington Pyrostop™ Fire rated glass with A-class impact resistance.
- Suitable for Pyropanel Pressed Metal Door Frames with 25mm doorstop, or Pyropanel one hour Fire Rated Timber Door Frame with 20mm doorstop.
- Doors weigh approx 35kg/m² (1/2 lite) and 45kg/m² (full lite) .

OPTIONAL EXTRAS

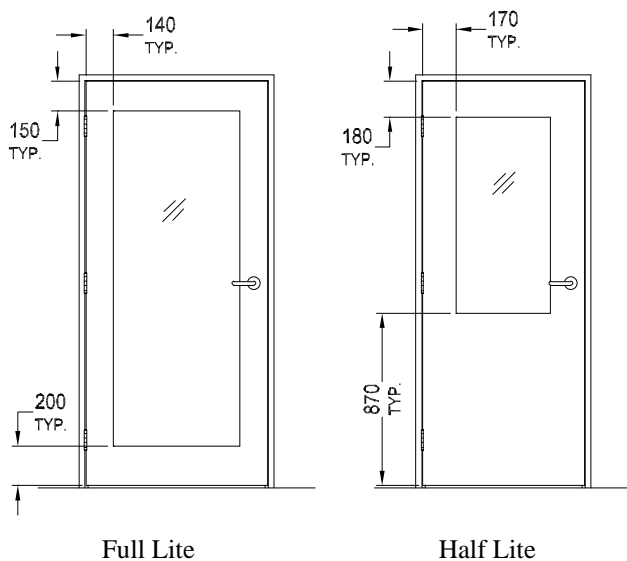
- MDF or Ply facings
- Different glass shapes available for 1/2 lite door (Contact Pyropanel for more info)
- Pre-hung option available.
- Pairs available – For fully glazed pair doors, refer *Pyropanel Steel Glass Fire Doors.*



MODELS AVAILABLE

Model	FRL	Thickness	Max Leaf size - Single	Max Leaf size - Pairs	Max Glass panel
PG1FD060-52	-/60/30	52	2400 x 920*	2400 x 920*	Half
PG2FD060-54	-/60/30	54	2700 x 1050*	N/A	Full

* Also available as 2100 x 1200



HOW TO SPECIFY

Eg, "Door to be a Pyropanel PG2FD060-54* Full -Lite Glass Fire Door, 54mm thick, tested and certified -/60/30 FRL, Ply face*, mounted in Pyropanel PMDF / Pyropanel Fire rated timber door frame*.

* denotes example - delete or change or specify as required



Pyropanel Developments Pty Ltd
 122-124 Beresford Rd, Lilydale, VIC, 3140
 Ph: (03) 9739 3100 Fax: (03) 9739 3115
 Email: sales@pyropanel.com.au
 Web: www.pyropanel.com.au

Distributed by: