

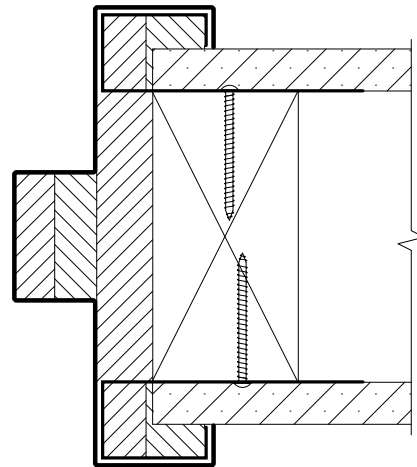
### DESCRIPTION

Building in details showing the approved fixing methods for gyprock walls up to 2 hours of fire rating.

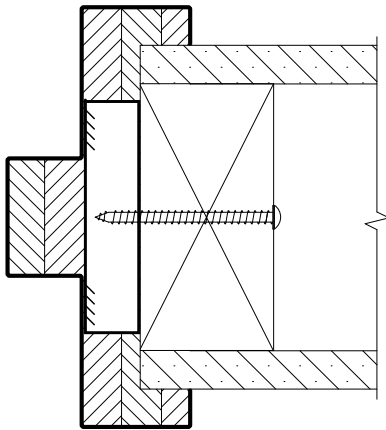
### APPLICATIONS

### REQUIREMENTS

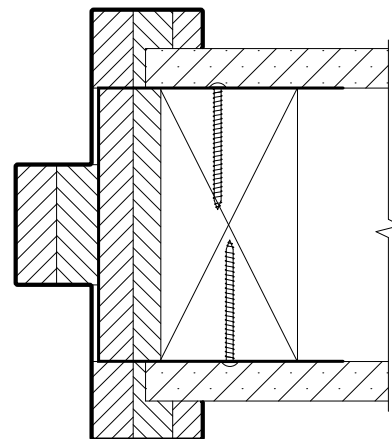
- Backfilling with fire rated gyprock or rockwool is highly recommended, but not required up to 2 hour FRL. All acoustic warranties and approvals are void for unpacked frames.
- Ensure all gaps are tightly filled with Pyropanel Multiflex fire rated acrylic sealant.
- Fixings to be at max. 500mm centres



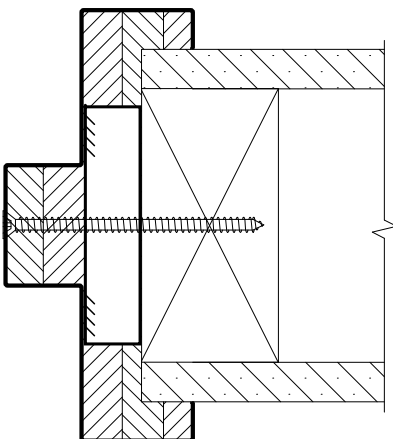
Stud Bracket



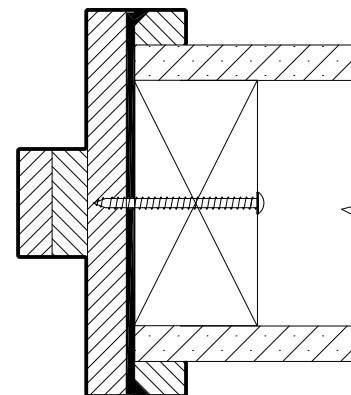
MS tube or saddle bracket



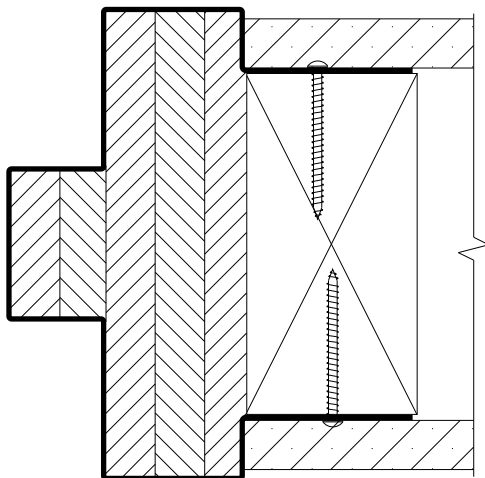
C-Section



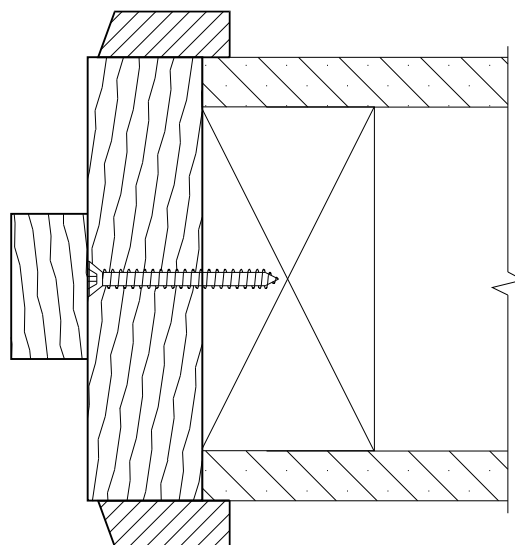
MS tube or saddle bracket



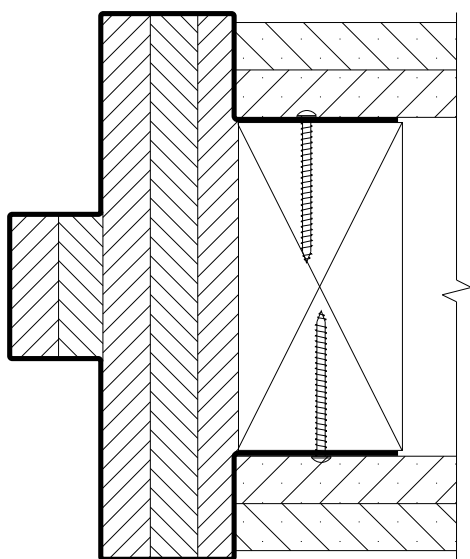
Steel strap



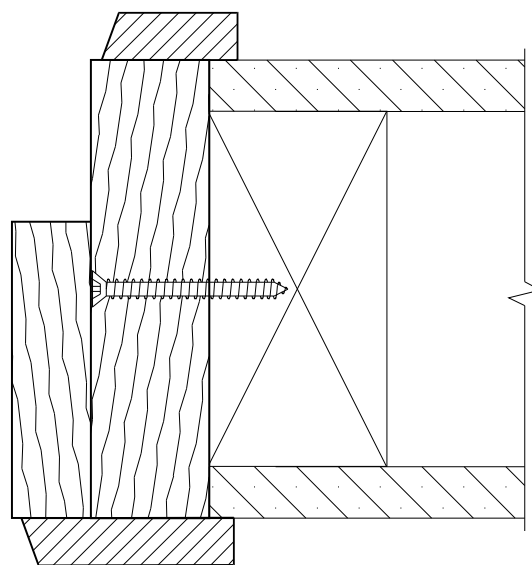
Steel frame - single layer of plasterboard



Timber frame - Single layer of plasterboard



Steel frame - double layer of plasterboard



Timber frame - Single Rebate with single layer of plasterboard