

ACCESSORIES

Pyropanel Auto Latch

TECH SHEET: ACC-02

Issue: 03-08-2010

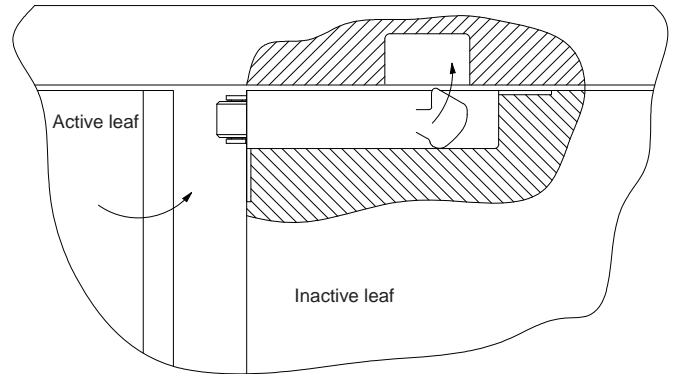
Latching mechanism for non-active leaf in Pyropanel Fire Rated Pair Doorsets

DESCRIPTION

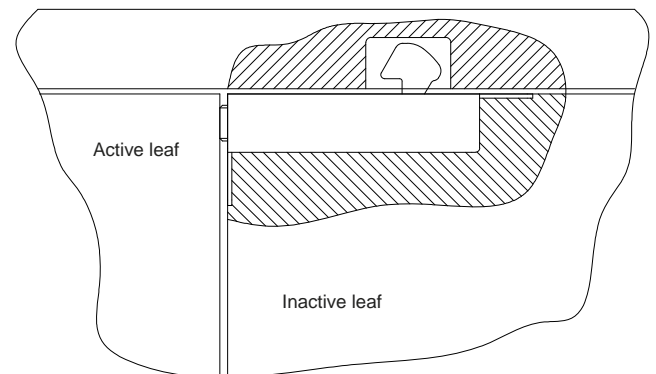
Automatic latching bolt for fire door pairs which is recessed into the head of the non active leaf, and automatically bolts the non-active leaf when the active leaf returns to the closed position.

FEATURES

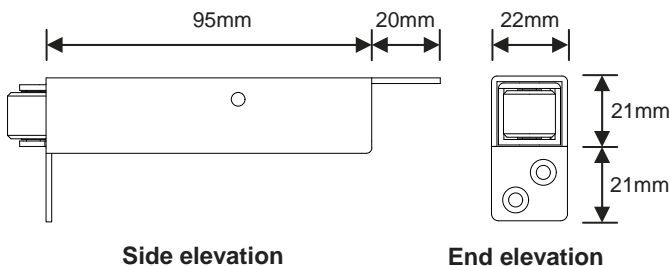
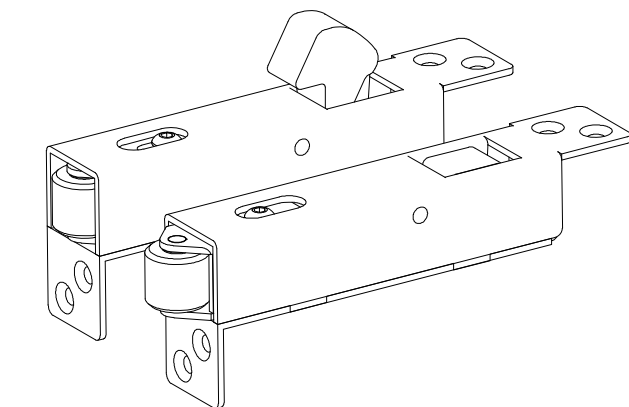
- Suitable for Pyropanel Fire Rated pair doorsets.
- Designed to securely hold the inactive leaf closed in the event of a fire scenario.
- Fire Rated up to 4 hrs.
- Fail safe.
- Manufactured in Australia.
- Easy to install.
- Head of the door frame requires a rectangular hole.



Front elevation showing disengaged Auto latch with active door leaf open



Front elevation showing engaged Auto latch after active door leaf is closed



HOW TO SPECIFY

"Pyropanel Fire Rated Doorset Pair to include Pyropanel Fire Rated Auto Latch to inactive leaf"...



Pyropanel Developments Pty Ltd
122-124 Beresford Rd, Lilydale, VIC, 3140
Ph: (03) 9739 3100 Fax: (03) 9739 3115
Email: sales@pyropanel.com.au
Web: www.pyropanel.com.au

Distributed by: