

# Smoke & Life Safety Doors System Guide

---



## Smoke Doors & Life Safety Doors

'Life Safety Door' (LSD) is the industry wide terminology used to describe a door that has been tested and certified under Australian Standards AS1530.7 for smoke leakage. The term is used to differentiate these doors from traditional 'smoke doors' that have not been tested for smoke leakage. Most Life Safety Doors have also been tested for fire resistance under Australian Standards AS1530.4 and AS/NZ1905.1, and so will also have a certified FRL. Additionally, Pyropanel Life Safety doors have been tested for acoustic performance, and most will satisfy the requirements of Part F5.5 of the BCA.

Because there is currently no performance requirement in the Building Code of Australia for smoke doors, most Pyropanel fire and non fire rated doors will meet the requirements of the BCA Specification C3.4 when fitted with smoke seals. Simply specifying the door as a "Pyropanel Smoke Door" will ensure compliance with the BCA.

## Why develop a Life Safety Door?

For some time now, Fire Engineers and other specifiers have been looking for new and innovative ways to make a building 'Life Safe'. The Australian building code encourages the consideration of all protective elements in the design of a building, and this has led to the use of smoke seals in conjunction with fire rated and solid core doors to provide protection against fire and smoke.

However, unless the door and seal combination is actually tested to Australian Standards for smoke leakage, the actual level of smoke leakage remains unknown. Under medium heat conditions (AS1530.7), doors can bend away from smoke seals to the degree that they will provide little or even no protection from smoke. Only a tested and certified Life Safety Door will provide known protection from smoke and fire.

## Comparison with Solid Core doors

A more recent development within performance based building design has been the inclusion of 'solid core doors' with or without smoke seals in applications that usually require a certified fire resistant door. But what is a 'solid core door'? There is no Australian standard to describe what constitutes a 'solid core door'. Solid core doors are not tested under Australian Standards for either fire resistance, smoke resistance, or acoustic performance, and are not certified to provide any guaranteed resistance to either fire, smoke or sound, even with seals.

Although solid core doors are assumed to provide at least 20mins of fire protection, recent test evidence shows that solid core doors can actually achieve less than 5 minutes of fire protection when exposed to the heating regime of AS1530.4, and will bend away from smoke seals in medium temperature situations, providing no resistance to the effects of smoke.

Pyropanel Life Safety Doors provide **tested and certified** resistance to Smoke, Fire, and Sound, and if fire resistance is truly not needed, will actually cost the same or less than a solid core door with seals.

## Cost

Until recently, it was perceived that there was a significant cost difference between a widely variable, non tested, non certified "Solid Core Door" with seals, and a fully tested Fire rated door with seals. With the development of new technology and materials, the cost difference is now such that there is no effective saving gained by introducing a "solid core door" over a traditional Fire Rated door, when the costs associated with additional fire safety equipment (such as a sprinkler head) are also considered.

A non fire rated -/- Pyropanel LSD will cost the same or even less than a Solid Core Door with seals, yet provides certified smoke resistance and acoustic performance, as well as the same Fire Resistance as a Solid Core Door.

A 30 minute -/30/30 FRL Pyropanel LSD complete with leaf, frame, seals, hardware and installation will cost as little as 7% more than a Solid Core Door with seals, while a 60 minute -/60/30 LSD will cost as little as 12% more than a Solid Core Door with seals (prices based on standard 2040 x 820 x 38mm thick door, ex Melbourne, major project prices).

## Features of Pyropanel LSDs

- Available in **singles** and **pairs**
- 3 Fire Resistance Levels:
  - -/-, -/30/30, and -/60/30
- 3 Certified Smoke Resistance Levels:
  - Cold (Ambient) smoke leakage
  - Medium (AS1530.7) smoke leakage
  - Hot smoke Leakage
- Available in either Exposed or Concealed seal arrangements, by Euroseal®, Raven, & Lorient
- Tested and certified Acoustic Ratings from 27 - 30Rw.
- Metal or timber frames to suit up to 1 hour fire resistance.
- Lighter than most common "Solid Core Doors"
- Non-timber, renewable resource core system, especially suited to "Green Projects".
- Fully tagged for both FRL and Smoke Resistance Levels for easy inclusion in essential services log books.

## How to specify

Firstly determine the FRL required, then determine the smoke resistance required, and finally the seal combination desired.

Eg. **LSD - 60 - C / M / H S / EU**  
Life Safety Door      60 mins fire rating      Cold / Medium / Hot smoke rating      Euroseal frame profile

Eg: "**Doors to be Pyropanel Life Safety Doors LSD-30-C/MS/EU with Euroseal perimeter seal and 'RP99Si' bottom seal and <math>2m^3/h@10Pa^\*</math> smoke leakage rate, or equally tested and certified**". (\* indicates change as required).

Always specify that the door must be 'equally tested and certified'. Only this way will you be assured that the installed door will meet the criteria that was originally required. If you do not specify which seal combination is required, the default seal combination will be supplied (refer to table).



**Pyropanel Developments** Pty Ltd  
122-124 Beresford Rd, Lilydale, VIC, 3140  
Ph: (03) 9739 3100 Fax: (03) 9739 3115  
Email: sales@pyropanel.com.au  
Web: www.pyropanel.com.au

**Distributed by:**

# LIFE SAFETY DOORS SYSTEM GUIDE

Issue: 02-08-2011

## Product Range

Door Code	FRL	Smoke Resistance	Frame	Leaf Thickness	Maximum Size	Seal Combinations	Nominal Smoke Leakage (Med) (2040x820 Single)
LSD-0-C/MS	-/-	Cold / Medium	Steel or Timber	48mm or (38mm)	2400 x 1020 (2040 x 820)	*RP78Si + RP99Si	<2m <sup>3</sup> /h@10Pa
						RP24Si + RP38Si	2m <sup>3</sup> /h@10Pa
						LE1515 + IS8010Si	<2m <sup>3</sup> /h@10Pa
LSD-0-C/MS/EU	-/-	Cold / Medium	Steel or Timber (with Euroseal recess)	48mm or (38mm)	2400 x 1020 (2040 x 820)	*Euroseal + RP38Si	<2m <sup>3</sup> /h@10Pa
						Euroseal + RP99Si	<2m <sup>3</sup> /h@10Pa
						Euroseal + RP8Si	<2m <sup>3</sup> /h@10Pa
						Euroseal + IS8090Si	<2m <sup>3</sup> /h@10Pa
LSD-30-C/MS	-/30/30	Cold / Medium	Steel or Timber	48mm or (38mm)	2400 x 1020 (2040 x 820)	*RP78Si + RP99Si	<2m <sup>3</sup> /h@10Pa
						RP24Si + RP38Si	<2m <sup>3</sup> /h@10Pa
LSD-30-C/MS/EU	-/30/30	Cold / Medium	Steel or Timber (with Euroseal recess)	48mm or (38mm)	2400 x 1020 (2040 x 820)	*Euroseal + RP38Si	<2m <sup>3</sup> /h@10Pa
						Euroseal + RP99Si	<2m <sup>3</sup> /h@10Pa
						Euroseal + RP8Si	<2m <sup>3</sup> /h@10Pa
						#Euroseal + IS8090Si	<2m <sup>3</sup> /h@10Pa
LSD-30-C/M/HS	-/30/30	Cold / Medium/ Hot	Steel or Timber	48mm or (38mm)	2400 x 1020 (2040 x 820)	RP78Si* + RP99Si* + PFS2003*	<2m <sup>3</sup> /h@10Pa
						RP76Si + RP8Si + RP10Si	<2m <sup>3</sup> /h@10Pa
						RP24Si + RP38Si + PFS2003	<2m <sup>3</sup> /h@10Pa
LSD-30-C/M/HS/EU	-/30/30	Cold / Medium/ Hot	Steel or Timber (with Euroseal recess)	48mm or (38mm)	2400 x 1020 (2040 x 820)	*Euroseal + RP38Si + PFS2003	<2m <sup>3</sup> /h@10Pa
						Euroseal + RP99Si + PFS2003	<2m <sup>3</sup> /h@10Pa
						Euroseal + RP8Si + PFS2003	<2m <sup>3</sup> /h@10Pa
						#Euroseal + IS8090Si + PFS2003	<2m <sup>3</sup> /h@10Pa
LSD-60-C/MS	-/60/30	Cold / Medium	Steel or Timber	48mm or (38mm)	2400 x 1020 (2040 x 820)	*RP78Si + RP99Si	<2m <sup>3</sup> /h@10Pa
						RP24Si + RP38Si	<2m <sup>3</sup> /h@10Pa
LSD-60-C/MS/EU	-/60/30	Cold / Medium	Steel or Timber (with Euroseal recess)	48mm or (38mm)	2400 x 1020 (2040 x 820)	*Euroseal + RP38Si	<2m <sup>3</sup> /h@10Pa
						Euroseal + RP99Si	<2m <sup>3</sup> /h@10Pa
						Euroseal + RP8Si	<2m <sup>3</sup> /h@10Pa
						#Euroseal + IS8090Si	<2m <sup>3</sup> /h@10Pa
LSD-60-C/M/HS	-/60/30	Cold / Medium/ Hot	Steel or Timber	48mm or (38mm)	2400 x 1020 (2040 x 820)	RP78Si* + RP99Si* + PFS2003*	<2m <sup>3</sup> /h@10Pa
						RP76Si + RP8Si + RP10Si	<2m <sup>3</sup> /h@10Pa
						RP24Si + RP38Si + PFS2003	<2m <sup>3</sup> /h@10Pa
LSD-60-C/M/HS/EU	-/60/30	Cold / Medium/ Hot	Steel or Timber (with Euroseal recess)	48mm or (38mm)	2400 x 1020 (2040 x 820)	*Euroseal + RP38Si + PFS2003	<2m <sup>3</sup> /h@10Pa
						Euroseal + RP99Si + PFS2003	<2m <sup>3</sup> /h@10Pa
						Euroseal + RP8Si + PFS2003	<2m <sup>3</sup> /h@10Pa
						#Euroseal + IS8090Si + PFS2003	<2m <sup>3</sup> /h@10Pa

### Notes:

- \*Indicates standard seal configuration. Alternative seal combinations to be requested in door specification.
- #Indicates Seal combination used only on 48mm thick door.
- Refer to the PYROANEL Life Safety Door Tech Sheets full features and test results of each model.
- Pair doors have been tested using Pyropanel J-Section meeting stile with integrated medium smoke seal - Contact Pyropanel for leakage data of pair doors.
- Hot smoke doors only have hot smoke (fire) seals on the sides and top of the door - no hot smoke seals are provided at the base of the door nor at the meeting stile of pair doors.



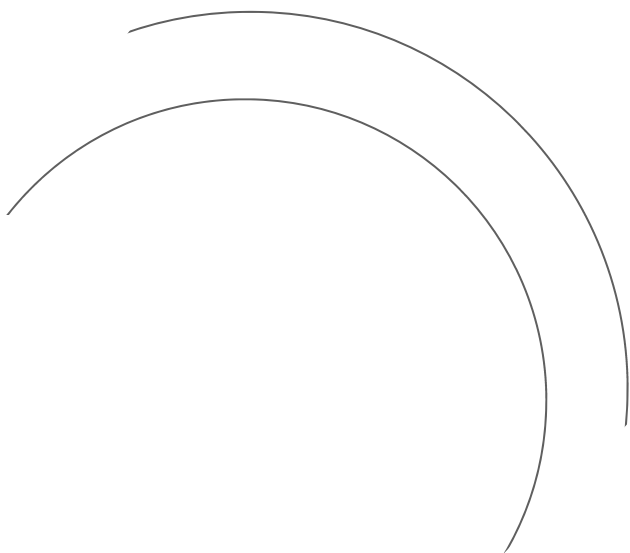
**Pyropanel Developments** Pty Ltd  
 122-124 Beresford Rd, Lilydale, VIC, 3140  
 Ph: (03) 9739 3100 Fax: (03) 9739 3115  
 Email: sales@pyropanel.com.au  
 Web: www.pyropanel.com.au

**Distributed by:**

## Availability

All Pyropanel products are available throughout Australia and various other countries through a network of licensed manufacturers and distributors. For a current contact list, please contact Pyropanel Developments or visit our website at [www.pyropanel.com.au](http://www.pyropanel.com.au).

[Pyropanel > Fire Doors > Smoke Doors > Life Safety Doors > Fire Rated Glazing > Passive Products > Special Purpose Doors](#)



PYRO PANEL  
DEVELOPMENTS PTY LTD

Melba Industrial Park  
122-124 Beresford Rd  
Lilydale (P O Box 559)  
Victoria, 3140, Australia

T +61 3 9739 3100  
F +61 3 9739 3115  
E [sales@pyropanel.com.au](mailto:sales@pyropanel.com.au)  
W [www.pyropanel.com.au](http://www.pyropanel.com.au)



# LIFE SAFETY DOOR

## LSD-0-C/MS

TECH SHEET: LSD-0-C/MS

Issue: 02-08-2011

**Tested and Certified Smoke door**

### DESCRIPTION

Non-Fire Rated Life Safety Door that has been tested and certified for smoke leakage as per AS1530.7, incorporating a choice of high performance cold / medium smoke seals.

### APPLICATIONS

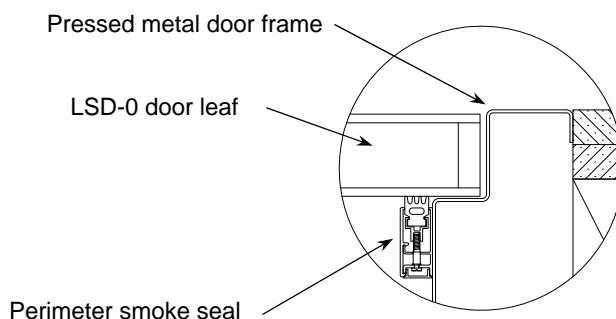
Ideal for Apartment entry doors or anywhere that requires no fire resistance, but does require certified smoke resistance.

### FEATURES

- **SMOKE RESISTANCE (SRL):** COLD / MEDIUM
- **FIRE RESISTANCE (FRL):** -/-
- Tested and certified to AS1530.7 for Smoke Leakage
- 1.2mm or 1.4mm Pressed Metal Frames, or Plantation Timber Frames
- 48mm and 38mm thick, Single and Pair assemblies
- Environmentally friendly non-timber core
- Fully tagged SRL door tags
- Lighter than conventional 'solid-core' doors (leaf weight approximately 22kg/m<sup>2</sup> for 48mm thick door)
- Maximum size - Singles - 2400 x 1020mm (48mm)  
2040 x 820mm (38mm)  
- Pairs - 2400 x 1020mm per leaf (48mm)
- Meets the deemed to satisfy provisions for Smoke Doors found in Specification C3.4 Clause 3.2(b) of the BCA
- All pair assemblies are smoke tested with Pyropanel J-Section meeting stiles. Contact Pyropanel for pair assembly and large door leakage certificates.

### OPTIONAL EXTRAS

- MDF, Ply or Laminate facings
- Solid hardwood frames
- Steel frames
- Vision panels - 300 x 200 or 600 x 100mm.
- Kick Panels of 1.2mm Stainless Steel to selected height
- Euroseal frame profile (see LSD-0-C/MS/EU)
- Pre-hung assembly available
- -/30/30 and -/60/30 models available (see LSD-30-C/MS and LSD-60-C/MS)



### HOW TO SPECIFY

*"Door to be a Pyropanel Life Safety Door LSD-0-C/MS or equally tested and certified with Pressed Metal / Timber\* door frames, 48mm\* thick, -/- FRL, certified smoke leakage, MDF/Ply face\*, with RP78Si\* perimeter seal, and RP99Si\* bottom seal, and the following options: (eg, vision panels, kick panels, etc),"*

\* denotes example - delete, change or specify as required

### MORE INFORMATION

For more information on the range of Pyropanel Life Safety Doors, please refer to the Life Safety Door System Guide available for download at [www.pyropanel.com.au](http://www.pyropanel.com.au).

### SEAL COMBINATIONS

Frame Details	Leaf Thickness (mm)	Cold/Medium perimeter Smoke Seal	Bottom Seal	Smoke Leakage 2040x820 single (@10Pa)	Smoke Certificate (820 single)
Pressed metal or Fire Rated timber	48 or 38	RP78Si <sup>#</sup>	RP99Si <sup>#</sup> (SM)	<2m <sup>3</sup> /h	SFC40973
Pressed metal or Fire Rated timber	48 or 38	RP24Si	RP38Si (SM)	<2m <sup>3</sup> /h	SFC40974
Pressed metal or Fire Rated timber	48 or 38	LE1515	IS8010Si (FM)	<2m <sup>3</sup> /h	SFC40962

Note: # indicates default seal combination (supplied unless other seals specified)

Bottom Seal Orientation: SM- Semi Morticed, FM- Fully Morticed, S- Surface Mounted



**Pyropanel Developments** Pty Ltd  
122-124 Beresford Rd, Lilydale, VIC, 3140  
Ph: (03) 9739 3100 Fax: (03) 9739 3115  
Email: [sales@pyropanel.com.au](mailto:sales@pyropanel.com.au)  
Web: [www.pyropanel.com.au](http://www.pyropanel.com.au)

**Distributed by:**

# LIFE SAFETY DOOR

## LSD-0-C/MS/EU

TECH SHEET: LSD-0-C/MS/EU

Issue: 02-08-2011

**Tested and Certified Smoke door**

### DESCRIPTION

Non-Fire Rated Life Safety Door that has been tested and certified for smoke leakage as per AS1530.7, incorporating the Pyropanel Euroseal frame profile and high performance cold and medium smoke seals.

### APPLICATIONS

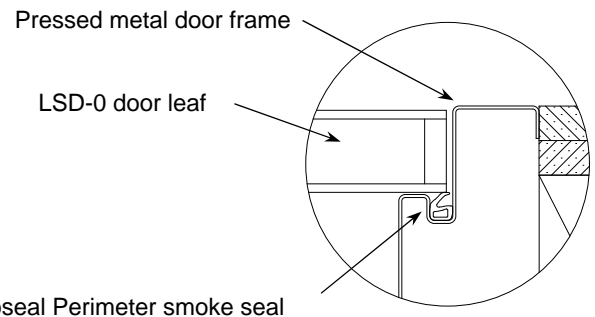
Ideal for Apartment entry doors or anywhere that requires no fire resistance, but does require certified smoke resistance.

### FEATURES

- **SMOKE RESISTANCE (SRL): COLD / MEDIUM**
- **FIRE RESISTANCE (FRL): -/-**
- Tested and certified to AS1530.7 for Smoke Leakage
- 1.2mm or 1.4mm Pressed Metal Euroseal Frames, or Plantation Timber Frames
- 48mm and 38mm thick, Single and Pair assemblies
- Environmentally friendly non-timber core
- Fully tagged with SRL door tags
- Lighter than conventional 'solid-core' doors (leaf weight approximately 22kg/m<sup>2</sup> for 48mm thick door)
- Maximum size - Singles - 2400 x 1020mm (48mm)  
- 2040 x 820mm (38mm)  
- Pairs - 2400 x 1020mm per leaf (48mm)
- Meets the deemed to satisfy provisions for Smoke Doors found in Specification C3.4 Clause 3.2(b) of the BCA
- All pair assemblies are smoke tested with Pyropanel J-Section meeting stiles. Contact Pyropanel for pair assembly and large door leakage certificates.

### OPTIONAL EXTRAS

- MDF, Ply or Laminate facings
- Solid hardwood frames
- Steel frames
- Vision panels - 300 x 200 or 600 x 100mm.
- Kick Panels of 1.2mm Stainless Steel to selected height
- Non-Euroseal frame profile (see LSD-0-C/MS)
- Pre-hung assembly available
- -/30/30 and -/60/30 models available (see LSD-30-C/MS/EU and LSD-60-C/MS/EU)



### HOW TO SPECIFY

*"Door to be a Pyropanel Life Safety Door LSD-0-C/MS/EU or **equally tested and certified** with Euroseal Pressed Metal / Plantation Timber\* door frames, 48mm\* thick, -/- FRL, certified smoke leakage, MDF/Ply face\*, with Euroseal, and RP38Si\* bottom seal, and the following options: (eg, vision panels, kick panels, etc),"*

\* denotes example - delete, change or specify as required

### MORE INFORMATION

For more information on the range of Pyropanel Life Safety Doors, please refer to the Life Safety Door System Guide available for download at [www.pyropanel.com.au](http://www.pyropanel.com.au).

### SEAL COMBINATIONS

Frame Details	Leaf Thickness (mm)	Cold/Medium perimeter Smoke Seal	Bottom Seal	Smoke Leakage 2040x820 single (@10Pa)	Smoke Certificate (820 single)
Pressed metal or timber with Euroseal Rebate	48 or 38	Euroseal	RP38Si# (S)	<2m <sup>3</sup> /h	SFC40965
Pressed metal or timber with Euroseal Rebate	48 or 38	Euroseal	RP99Si (SM)	<2m <sup>3</sup> /h	SFC40966
Pressed metal or timber with Euroseal Rebate	48 or 38	Euroseal	RP8Si (FM)	<2m <sup>3</sup> /h	SFC40964
Pressed metal or timber with Euroseal Rebate	48 or 38	Euroseal	IS8090Si (S)	<2m <sup>3</sup> /h	SFC40963

Note: # indicates default seal combination (supplied unless other seals specified)

Bottom Seal Orientation: SM- Semi Morticed, FM- Fully Morticed, S- Surface Mounted



**Pyropanel Developments** Pty Ltd  
122-124 Beresford Rd, Lilydale, VIC, 3140  
Ph: (03) 9739 3100 Fax: (03) 9739 3115  
Email: [sales@pyropanel.com.au](mailto:sales@pyropanel.com.au)  
Web: [www.pyropanel.com.au](http://www.pyropanel.com.au)

**Distributed by:**

# LIFE SAFETY DOOR

## LSD-30-C/MS

TECH SHEET- LSD-30-C/MS

Issue: 02-08-2011

**Tested and Certified Fire, Smoke and Acoustic door**

### DESCRIPTION

30 minute Fire Rated Life Safety Door that has been tested and certified for fire resistance as per AS1530.4, tested and certified for smoke leakage as per AS1530.7, incorporating a choice of high performance cold / medium smoke seals.

### APPLICATIONS

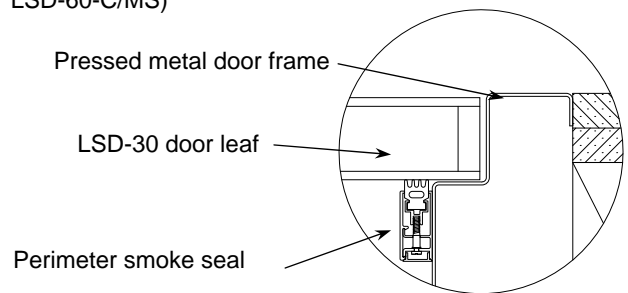
Ideal for Apartment entry doors or anywhere that requires 30 minutes of certified fire resistance, smoke resistance and acoustic resistance.

### FEATURES

- **SMOKE RESISTANCE (SRL): COLD / MEDIUM**
- **FIRE RESISTANCE (FRL): -/30/30**
- Tested and certified to AS1530.7 for Smoke Leakage
- Tested and certified to AS1530.4 for Fire Resistance
- Some acoustically tested (filled metal or timber frame)
- 1.2mm or 1.4mm Pressed Metal Frames, or Fire Rated Plantation Timber Frames
- 48mm and 38mm thick, Single and Pair assemblies
- Environmentally friendly non-timber core
- Fully tagged with FRL and SRL door tags
- Lighter than conventional 'solid-core' doors (leaf weight approximately 22kg/m<sup>2</sup> for 48mm thick door)
- Maximum size - Singles - 2400 x 1020mm (48mm)  
- 2040 x 820mm (38mm)  
- Pairs - 2400 x 1020mm per leaf (48mm)
- Meets the deemed to satisfy provisions for Smoke Doors found in Specification C3.4 Clause 3.2(b) of the BCA
- All pair assemblies are smoke tested with Pyropanel J-Section meeting stiles. Contact Pyropanel for pair assembly and large door leakage certificates.

### OPTIONAL EXTRAS

- MDF, Ply or Laminate facings
- Solid hardwood frames
- Steel frames
- Vision panels - 300 x 200 or 600 x 100mm.
- Kick Panels of 1mm Stainless Steel to selected height
- Euroseal frame profile (see LSD-30-C/MS/EU)
- Pre-hung assembly available
- -/- and -/60/30 models available (see LSD-0-C/MS and LSD-60-C/MS)



### HOW TO SPECIFY

*"Door to be a Pyropanel Life Safety Door LSD-30-C/MS or **equally tested and certified** with Pressed Metal /Fire Rated Timber\* door frames, 48mm\* thick, -/30/30 FRL, certified smoke leakage, MDF/Ply face\*, with RP78Si\* perimeter seal, and RP99Si\* bottom seal, and the following options: (eg, vision panels, kick panels, etc),"*

\* denotes example - delete, change or specify as required

### MORE INFORMATION

For more information on the range of Pyropanel Life Safety Doors, please refer to the Life Safety Door System Guide available for download at [www.pyropanel.com.au](http://www.pyropanel.com.au).

### SEAL COMBINATIONS

Frame Details	Leaf Thickness (mm)	Cold/Medium perimeter Smoke Seal	Bottom Seal	Smoke Leakage 2040x820 single (@10Pa)	Smoke Certificate (820 single)	Rw 48/38mm
Pressed metal or Fire Rated timber	48 or 38	RP78Si <sup>#</sup>	RP99Si <sup>#</sup> (SM)	<2m <sup>3</sup> /h	SFC40973	28/-
Pressed metal or Fire Rated timber	48 or 38	RP24Si	RP38Si (SM)	<2m <sup>3</sup> /h	SFC40974	30/-

Note: # indicates default seal combination which will be supplied unless specified  
Bottom Seal Orientation: SM- Semi Morticed, FM- Fully Morticed, S- Surface Mounted



**Pyropanel Developments** Pty Ltd  
 122-124 Beresford Rd, Lilydale, VIC, 3140  
 Ph: (03) 9739 3100 Fax: (03) 9739 3115  
 Email: sales@pyropanel.com.au  
 Web: www.pyropanel.com.au

**Distributed by:**

# LIFE SAFETY DOOR

## LSD-30-C/MS/EU

TECH SHEET- LSD-30-C/MS/EU

Issue: 02-08-2011

**Tested and Certified Fire, Smoke and Acoustic door**

### DESCRIPTION

30 minute Fire Rated Life Safety Door that has been tested and certified for fire resistance as per AS1530.4, tested and certified for smoke leakage as per AS1530.7, incorporating the Pyropanel Euroseal frame profile and high performance cold / medium smoke seals.

### APPLICATIONS

Ideal for Apartment entry doors or anywhere that requires 30 minutes of certified fire resistance, smoke resistance and acoustic resistance.

### FEATURES

- **SMOKE RESISTANCE (SRL):** COLD / MEDIUM
- **FIRE RESISTANCE (FRL):** -/30/30
- Tested and certified to AS1530.7 for Smoke Leakage
- Tested and certified to AS1530.4 for Fire Resistance
- Some acoustically tested (filled metal or timber frame)
- 1.2mm or 1.4mm Pressed Metal Euroseal Frames, or Fire Rated Plantation Timber Frames
- 48mm and 38mm thick, Single and Pair assemblies
- Environmentally friendly non-timber core
- Fully tagged with FRL and SRL door tags
- Lighter than conventional 'solid-core' doors (leaf weight approximately 22kg/m<sup>2</sup> for 48mm thick door)
- Maximum size - Singles - 2400 x 1020mm (48mm)  
- 2040 x 820mm (38mm)  
- Pairs - 2400 x 1020mm per leaf (48mm)
- Meets the deemed to satisfy provisions for Smoke Doors found in Specification C3.4 Clause 3.2(b) of the BCA
- All pair assemblies are smoke tested with Pyropanel J-Section meeting stiles.

### SEAL COMBINATIONS

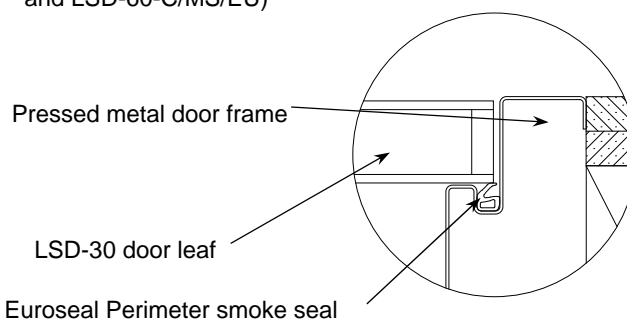
Frame Details	Leaf Thickness (mm)	Cold/Medium perimeter Smoke Seal	Bottom Seal	Smoke Leakage 2040x820 single (@10Pa)	Smoke Certificate (820 single)	Rw 48mm/38mm
Pressed metal or Fire Rated timber with Euroseal Rebate	48 or 38	Euroseal	RP38Si# (S)	<2m <sup>3</sup> /h	SFC40965	30 / -
Pressed metal or Fire Rated timber with Euroseal Rebate	48 or 38	Euroseal	RP99Si (SM)	<2m <sup>3</sup> /h	SFC40966	30 / 27
Pressed metal or Fire Rated timber with Euroseal Rebate	48 or 38	Euroseal	RP8Si (FM)	<2m <sup>3</sup> /h	SFC40964	30 / -
Pressed metal or Fire Rated timber with Euroseal Rebate	48	Euroseal	IS8090Si (S)	<2m <sup>3</sup> /h	SFC40963	30

Note:# indicates default seal combination (supplied unless other seals specified)

Bottom Seal Orientation: SM- Semi Morticed, FM- Fully Morticed, S- Surface Mounted

### OPTIONAL EXTRAS

- MDF, Ply or Laminate facings
- Solid hardwood frames
- Steel frames
- Vision panels - 300 x 200 or 600 x 100mm.
- Kick Panels of 1mm Stainless Steel to selected height
- Non-Euroseal frame profile (see LSD-30-C/MS)
- Pre-hung assembly available
- -/- and -/60/30 models available (see LSD-0-C/MS/EU and LSD-60-C/MS/EU)



### HOW TO SPECIFY

#### SPECIFY

"Door to be a Pyropanel Life Safety Door LSD-30-C/MS/EU or equally tested and certified with Euroseal Pressed Metal /Fire Rated Timber\* door frames, 48mm\* thick, -/30/30 FRL, certified smoke leakage, MDF/Ply face\*, with Euroseal, and RP38Si\* bottom seal, and the following options: (eg, vision panels, kick panels, etc),"

\* denotes example - delete, change or specify as required

#### MORE INFORMATION

For more information on the range of Pyropanel Life Safety Doors, please refer to the Life Safety Door System Guide available for download at [www.pyropanel.com.au](http://www.pyropanel.com.au).



**Pyropanel Developments** Pty Ltd  
122-124 Beresford Rd, Lilydale, VIC, 3140  
Ph: (03) 9739 3100 Fax: (03) 9739 3115  
Email: [sales@pyropanel.com.au](mailto:sales@pyropanel.com.au)  
Web: [www.pyropanel.com.au](http://www.pyropanel.com.au)

**Distributed by:**

# LIFE SAFETY DOOR

## LSD-30-C/M/HS

TECH SHEET: LSD-30-C/M/HS

Issue: 02-08-2011

**Tested and Certified Fire, Smoke and Acoustic door**

### DESCRIPTION

30 minute Fire Rated Life Safety Door that has been tested and certified for fire resistance as per AS1530.4, tested and certified for smoke leakage as per AS1530.7, incorporating a variety of high performance cold / medium smoke seals and intumescent hot smoke seals.

### APPLICATIONS

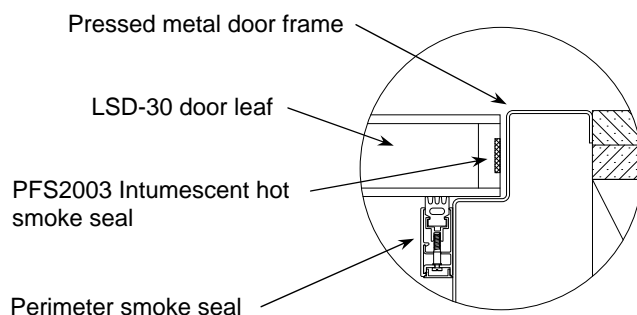
Ideal for Apartment entry doors or anywhere that requires 30 minutes of certified fire resistance, smoke resistance and acoustic resistance.

### FEATURES

- **SMOKE RESISTANCE (SRL): COLD / MEDIUM / HOT**
- **FIRE RESISTANCE (FRL): -/30/30**
- Tested and certified to AS1530.7 for Smoke Leakage
- Tested and certified to AS1530.4 for Fire Resistance
- Some acoustically tested (with filled metal or timber frame)
- 1.2mm or 1.4mm Pressed Metal Frames, or Fire Rated Plantation Timber Frames
- 48mm and 38mm thick, Single and Pair assemblies
- Environmentally friendly non-timber core
- Fully tagged with FRL and SRL door tags
- Lighter than conventional 'solid-core' doors (leaf weight approximately 22kg/m<sup>2</sup> for 48mm thick door)
- Maximum size - Singles - 2400 x 1020mm (48mm)  
- 2040 x 820mm (38mm)  
- Pairs - 2400 x 1020mm per leaf (48mm)
- Meets the deemed to satisfy provisions for Smoke Doors found in Specification C3.4 Clause 3.2(b) of the BCA
- All pair assemblies are smoke tested with Pyropanel J-Section meeting Stiles.

### OPTIONAL EXTRAS

- MDF, Ply or Laminate facings
- Solid hardwood frames
- Steel frames
- Vision panels - 300 x 200 or 600 x 100mm.
- Kick Panels of 1mm Stainless Steel to selected height
- Euroseal frame profile (see LSD-30-C/M/HS/EU)
- Pre-hung assembly available
- -/- and -/60/30 models available (see LSD-0-C/M/HS and LSD-60-C/M/HS)



### HOW TO SPECIFY

*"Door to be a Pyropanel Life Safety Door LSD-30-C/M/HS or equally tested and certified with Pressed Metal /Fire Rated Timber\* door frames, 48mm\* thick, -/30/30 FRL, certified smoke leakage, MDF/Ply face\*, with RP78Si\*, PFS2003 and RP99Si\* smoke seals, and the following options: (eg, vision panels, kick panels, etc),"*

\* denotes example - delete, change or specify as required

### MORE INFORMATION

For more information on the range of Pyropanel Life Safety Doors, please refer to the Life Safety Door System Guide available for download at [www.pyropanel.com.au](http://www.pyropanel.com.au).

### SEAL COMBINATIONS

Frame Details	Leaf Thickness (mm)	Cold/Medium perimeter Smoke Seal	Hot smoke seal	Bottom Seal	Smoke Leakage (2040x820 single) (@10Pa)	Smoke Certificate (820 single)	Rw 48/38mm
Pressed metal or Fire Rated timber	48 or 38	RP78Si <sup>#</sup>	PFS2003 <sup>#</sup>	RP99Si* (SM)	<2m <sup>3</sup> /h	SFC40973	28 / -
Fire Rated plantation timber	48 or 38	RP10Si	RP76Si	RP8Si (FM)	<2m <sup>3</sup> /h	SFC40961	- / -
Pressed metal or Fire Rated timber	48 or 38	RP24Si	PFS2003	RP38Si (SM)	<2m <sup>3</sup> /h	SFC40974	30 / -

Note: # indicates default seal combination (supplied unless other seals specified)

Bottom Seal Orientation: SM- Semi Morticed, FM- Fully Morticed, S- Surface Mounted



**Pyropanel Developments** Pty Ltd  
122-124 Beresford Rd, Lilydale, VIC, 3140  
Ph: (03) 9739 3100 Fax: (03) 9739 3115  
Email: [sales@pyropanel.com.au](mailto:sales@pyropanel.com.au)  
Web: [www.pyropanel.com.au](http://www.pyropanel.com.au)

**Distributed by:**

# LIFE SAFETY DOOR

## LSD-30-C/M/HS/EU

TECH SHEET: LSD-30-C/M/HS/EU

Issue: 02-08-2011

**Tested and Certified Fire, Smoke and Acoustic door**

### DESCRIPTION

30 minute Fire Rated Life Safety Door that has been tested and certified for fire resistance as per AS1530.4, tested and certified for smoke leakage as per AS1530.7, incorporating the Pyropanel Euroseal frame profile and high performance cold / medium smoke seals, & intumescent hot smoke seal.

### APPLICATIONS

Ideal for Apartment entry doors or anywhere that requires 30 minutes of certified fire resistance, smoke resistance and acoustic resistance.

### FEATURES

- **SMOKE RESISTANCE (SRL):** COLD / MEDIUM / HOT
- **FIRE RESISTANCE (FRL):** -/30/30
- Tested and certified to AS1530.7 for Smoke Leakage
- Tested and certified to AS1530.4 for Fire Resistance
- Some acoustically tested (filled metal or timber frame)
- 1.2mm or 1.4mm Pressed Metal Euroseal Frames, or Fire Rated Plantation Timber Frames
- 48mm and 38mm thick, Single and Pair assemblies
- Environmentally friendly non-timber core
- Fully tagged with FRL and SRL door tags
- Lighter than conventional 'solid-core' doors (leaf weight approximately 22kg/m<sup>2</sup> for 48mm thick door)
- Maximum size
  - Singles - 2400 x 1020mm (48mm)
  - 2040 x 820mm (38mm)
  - Pairs - 2400 x 1020mm per leaf (48mm)
- Meets the deemed to satisfy provisions for Smoke Doors found in Specification C3.4 Clause 3.2(b) of the BCA
- All pair assemblies are smoke tested with Pyropanel J-Section meeting stiles.

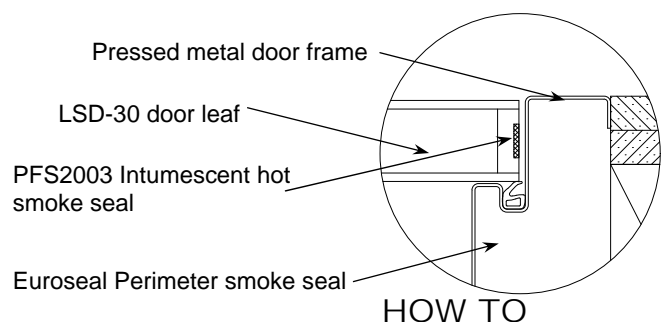
### SEAL COMBINATIONS

Frame Details	Leaf Thickness (mm)	Cold/Medium perimeter Smoke Seal	Hot smoke seal	Bottom Seal	Smoke Leakage (2040x820 single) (@10Pa)	Smoke Certificate (820 single)	Rw 48mm/38mm
Pressed metal or Fire Rated timber with Euroseal Rebate	48 or 38	Euroseal	PFS2003	RP38Si# (S)	<2m <sup>3</sup> /h	SFC40965	30 / -
Pressed metal or Fire Rated timber with Euroseal Rebate	48 or 38	Euroseal	PFS2003	RP99Si (SM)	<2m <sup>3</sup> /h	SFC40966	30 / 27
Pressed metal or Fire Rated timber with Euroseal Rebate	48 or 38	Euroseal	PFS2003	RP8Si (FM)	<2m <sup>3</sup> /h	SFC40964	30 / -
Pressed metal or Fire Rated timber with Euroseal Rebate	48	Euroseal	PFS2003	IS8090Si (S)	<2m <sup>3</sup> /h	SFC40963	30

Note: # indicates default seal combination (supplied unless other seals specified)  
 Bottom Seal Orientation: SM- Semi Morticed, FM- Fully Morticed, S- Surface Mounted

### OPTIONAL EXTRAS

- MDF, Ply or Laminate facings
- Solid hardwood frames
- Steel frames
- Vision panels - 300 x 200 or 600 x 100mm.
- Kick Panels of 1mm Stainless Steel to selected height
- Non-Euroseal frame profile (see LSD-30-C/M/HS)
- Pre-hung assembly available
- -/60/30 models available (see LSD-60-C/M/HS/EU)



### SPECIFY

"Door to be a Pyropanel Life Safety Door LSD-30-C/M/HS/EU or equally tested and certified with Euroseal Pressed Metal /Fire Rated Timber\* door frames, 48mm\* thick, -/30/30 FRL, certified smoke leakage, MDF/Ply face\*, with Euroseal, RP38Si\* and PFS2003 smoke seals, and the following options: (eg, vision panels, kick panels, etc),"

\* denotes example - delete, change or specify as required

### MORE INFORMATION

For more information on the range of Pyropanel Life Safety Doors, please refer to the Life Safety Door System Guide available for download at [www.pyropanel.com.au](http://www.pyropanel.com.au).



**Pyropanel Developments** Pty Ltd  
 122-124 Beresford Rd, Lilydale, VIC, 3140  
 Ph: (03) 9739 3100 Fax: (03) 9739 3115  
 Email: sales@pyropanel.com.au  
 Web: www.pyropanel.com.au

**Distributed by:**

# LIFE SAFETY DOOR

## LSD-60-C/MS

TECH SHEET: LSD-60-C/MS

Issue: 02-08-2011

**Tested and Certified Fire, Smoke and Acoustic door**

### DESCRIPTION

60 minute Fire Rated Life Safety Door that has been tested and certified for fire resistance as per AS1530.4, tested and certified for smoke leakage as per AS1530.7, incorporating a choice of high performance cold / medium smoke seals.

### APPLICATIONS

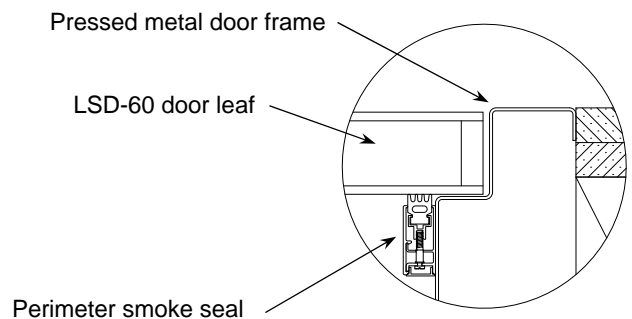
Ideal for Apartment entry doors or anywhere that requires 60 minutes of certified fire resistance, smoke resistance and acoustic resistance.

### FEATURES

- **SMOKE RESISTANCE (SRL): COLD / MEDIUM**
- **FIRE RESISTANCE (FRL): -/60/30**
- Tested and certified to AS1530.7 for Smoke Leakage
- Tested and certified to AS1530.4 for Fire Resistance
- Some acoustically tested (filled metal or timber frame)
- 1.2mm or 1.4mm Pressed Metal Frames, or Fire Rated Plantation Timber Frames
- 48mm and 38mm thick, Single and Pair assemblies
- Environmentally friendly non-timber core
- Fully tagged with FRL and SRL door tags
- Lighter than conventional 'solid-core' doors (leaf weight approximately 22kg/m<sup>2</sup> for 48mm thick door)
- Maximum size - Singles - 2400 x 1020mm (48mm)  
- 2040 x 820mm (38mm)  
- Pairs - 2400 x 1020mm per leaf (48mm)
- Meets the deemed to satisfy provisions for Smoke Doors found in Specification C3.4 Clause 3.2(b) of the BCA
- All pair assemblies are smoke tested with Pyropanel J-Section meeting Stiles. Contact Pyropanel for pair assembly and large door leakage certificates.

### OPTIONAL EXTRAS

- MDF, Ply or Laminate facings
- Solid hardwood frames
- Steel frames
- Vision panels - 300 x 200 or 600 x 100mm.
- Kick Panels of 1mm Stainless Steel to selected height
- Euroseal frame profile (see LSD-60-C/MS/EU)
- Pre-hung assembly available
- -/- and -/30/30 models available (see LSD-0-C/MS and LSD-30-C/MS)



### HOW TO SPECIFY

*"Door to be a Pyropanel Life Safety Door LSD-60-C/MS or equally tested and certified with Pressed Metal /Fire Rated Timber\* door frames, 48mm\* thick, -/60/30 FRL, certified smoke leakage, MDF/Ply face\*, with RP78Si\* perimeter seal, and RP99Si\* bottom seal, and the following options: (eg, vision panels, kick panels, etc),"*

\* denotes example - delete, change or specify as required

### MORE INFORMATION

For more information on the range of Pyropanel Life Safety Doors, please refer to the Life Safety Door System Guide available for download at [www.pyropanel.com.au](http://www.pyropanel.com.au).

### SEAL COMBINATIONS

Frame Details	Leaf Thickness (mm)	Cold/Medium perimeter Smoke Seal	Bottom Seal	Smoke Leakage 2040x820 single (@10Pa)	Smoke Certificate (820 single)	Rw
Pressed metal or Fire Rated timber	48	RP78Si <sup>#</sup>	RP99Si <sup>#</sup> (SM)	<2m <sup>3</sup> /h	SFC40973	28 / -
Pressed metal or Fire Rated timber	48	RP24Si	RP38Si (SM)	<2m <sup>3</sup> /h	SFC40974	30 / -

Note: # indicates default seal combination (supplied unless other seals specified)

Bottom Seal Orientation: SM- Semi Morticed, FM- Fully Morticed, S- Surface Mounted



**Pyropanel Developments** Pty Ltd  
122-124 Beresford Rd, Lilydale, VIC, 3140  
Ph: (03) 9739 3100 Fax: (03) 9739 3115  
Email: [sales@pyropanel.com.au](mailto:sales@pyropanel.com.au)  
Web: [www.pyropanel.com.au](http://www.pyropanel.com.au)

**Distributed by:**

# LIFE SAFETY DOOR

## LSD-60-C/MS/EU

TECH SHEET: LSD-60-C/MS/EU

Issue: 02-08-2011

**Tested and Certified Fire, Smoke and Acoustic door**

### DESCRIPTION

60 minute Fire Rated Life Safety Door that has been tested and certified for fire resistance as per AS1530.4, tested and certified for smoke leakage as per AS1530.7, incorporating the Pyropanel Euroseal frame profile and high performance cold / medium smoke seals.

### APPLICATIONS

Ideal for Apartment entry doors or anywhere that requires 60 minutes of certified fire resistance, smoke resistance and acoustic resistance.

### FEATURES

- **SMOKE RESISTANCE (SRL): COLD / MEDIUM**
- **FIRE RESISTANCE (FRL): -/60/30**
- Tested and certified to AS1530.7 for Smoke Leakage
- Tested and certified to AS1530.4 for Fire Resistance
- Some acoustically tested (filled metal or timber frame)
- 1.2mm or 1.4mm Pressed Metal Euroseal Frames, or Fire Rated Plantation Timber Frames
- 48mm and 38mm thick, Single and Pair assemblies
- Environmentally friendly non-timber core
- Fully tagged with FRL and SRL door tags
- Lighter than conventional 'solid-core' doors (leaf weight approximately 22kg/m<sup>2</sup> for 48mm thick door)
- Maximum size - Singles - 2400 x 1020mm (48mm)  
- 2040 x 820mm (38mm)  
- Pairs - 2400 x 1020mm per leaf (48mm)
- Meets the deemed to satisfy provisions for Smoke Doors found in Specification C3.4 Clause 3.2(b) of the BCA
- All pair assemblies are smoke tested with Pyropanel J-Section meeting stiles.

### SEAL COMBINATIONS

Frame Details	Leaf Thickness (mm)	Cold/Medium perimeter Smoke Seal	Bottom Seal	Smoke Leakage 2040x820 single (@10Pa)	Smoke Certificate (820 single)	Rw 48mm/38mm
Pressed metal or Fire Rated timber with Euroseal Rebate	48 or 38	Euroseal	RP38Si# (S)	<2m <sup>3</sup> /h	SFC40965	30 / -
Pressed metal or Fire Rated timber with Euroseal Rebate	48 or 38	Euroseal	RP99Si (SM)	<2m <sup>3</sup> /h	SFC40966	30 / 27
Pressed metal or Fire Rated timber with Euroseal Rebate	48 or 38	Euroseal	RP8Si (FM)	<2m <sup>3</sup> /h	SFC40964	30 / -
Pressed metal or Fire Rated timber with Euroseal Rebate	48	Euroseal	IS8090Si (S)	<2m <sup>3</sup> /h	SFC40963	30

Note: # indicates default seal combination (supplied unless other seals specified)

Bottom Seal Orientation: SM- Semi Morticed, FM- Fully Morticed, S- Surface Mounted

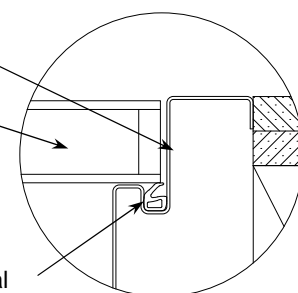
### OPTIONAL EXTRAS

- MDF, Ply or Laminate facings
- Solid hardwood frames
- Steel frames
- Vision panels - 300 x 200 or 600 x 100mm.
- Kick Panels of 1mm Stainless Steel to selected height
- Non-Euroseal frame profile (see LSD-60-C/MS)
- Pre-hung assembly available
- -/- and -/30/30 models available (see LSD-0-C/MS/EU and LSD-30-C/MS/EU)

Pressed metal door frame

LSD-60 door leaf

Euroseal Perimeter smoke seal



### HOW TO SPECIFY

*"Door to be a Pyropanel Life Safety Door LSD-60-C/MS/EU or equally tested and certified with Euroseal Pressed Metal /Fire Rated Timber\* door frames, 48mm\* thick, -/60/30 FRL, certified smoke leakage, MDF/Ply face\*, with Euroseal, and RP38Si\* bottom seal, and the following options: (eg, vision panels, kick panels, etc),"*

\* denotes example - delete, change or specify as required

### MORE INFORMATION

For more information on the range of Pyropanel Life Safety Doors, please refer to the Life Safety Door System Guide available for download at [www.pyropanel.com.au](http://www.pyropanel.com.au).



**Pyropanel Developments** Pty Ltd  
122-124 Beresford Rd, Lilydale, VIC, 3140  
Ph: (03) 9739 3100 Fax: (03) 9739 3115  
Email: [sales@pyropanel.com.au](mailto:sales@pyropanel.com.au)  
Web: [www.pyropanel.com.au](http://www.pyropanel.com.au)

**Distributed by:**

# LIFE SAFETY DOOR

## LSD-60-C/M/HS

TECH SHEET: LSD-60-C/M/HS

Issue: 02-08-2011

**Tested and Certified Fire, Smoke and Acoustic door**

### DESCRIPTION

60 minute Fire Rated Life Safety Door that has been tested and certified for fire resistance as per AS1530.4, tested and certified for smoke leakage as per AS1530.7, incorporating a variety of high performance cold / medium smoke seals and intumescent hot smoke seals.

### APPLICATIONS

Ideal for Apartment entry doors or anywhere that requires 60 minutes of certified fire resistance, smoke resistance and acoustic resistance.

### FEATURES

- **SMOKE RESISTANCE (SRL): COLD / MEDIUM / HOT**
- **FIRE RESISTANCE (FRL): -/60/30**
- Tested and certified to AS1530.7 for Smoke Leakage
- Tested and certified to AS1530.4 for Fire Resistance
- Some acoustically tested (filled metal or timber frame)
- 1.2mm or 1.4mm Pressed Metal Frames, or Fire Rated Plantation Timber Frames
- 48mm and 38mm thick, Single and Pair assemblies
- Environmentally friendly non-timber core
- Fully tagged with FRL and SRL door tags
- Lighter than conventional 'solid-core' doors (leaf weight approximately 22kg/m<sup>2</sup> for 48mm thick door)
- Maximum size
  - Singles - 2400 x 1020mm (48mm)
  - 2040 x 820mm (38mm)
  - Pairs - 2400 x 1020mm per leaf (48mm)
- Meets the deemed to satisfy provisions for Smoke Doors found in Specification C3.4 Clause 3.2(b) of the BCA
- All pair assemblies are smoke tested with Pyropanel J-Section meeting stiles.

### SEAL COMBINATIONS

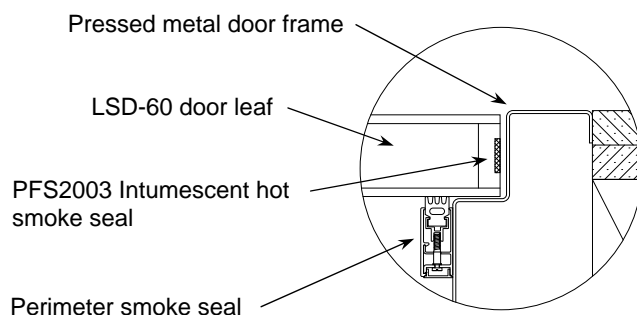
Frame Details	Leaf Thickness (mm)	Cold/Medium perimeter Smoke Seal	Hot smoke seal	Bottom Seal	Smoke Leakage (@10Pa) (2040x820 single)	Smoke Certificate (820 single)	Rw 48/38m
Pressed metal or Fire Rated timber	48 or 38	RP78Si <sup>#</sup>	PFS2003 <sup>#</sup>	RP99Si <sup>#</sup> (SM)	<2m <sup>3</sup> /h	SFC40973	28 / -
Fire Rated plantation timber	48 or 38	RP10Si	RP76Si	RP8Si (FM)	<2m <sup>3</sup> /h	SFC40961	- / -
Pressed metal or Fire Rated timber	48 or 38	RP24Si	PFS2003	RP38Si (SM)	<2m <sup>3</sup> /h	SFC40974	30 / -

Note: # indicates default seal combination (supplied unless other seals specified)

Bottom Seal Orientation: SM- Semi Morticed, FM- Fully Morticed, S- Surface Mounted

### OPTIONAL EXTRAS

- MDF, Ply or Laminate facings
- Solid hardwood frames
- Steel frames
- Vision panels - 300 x 200 or 600 x 100mm
- Kick Panels of 1mm Stainless Steel to selected height
- Euroseal frame profile (see LSD-60-C/M/HS/EU)
- Pre-hung assembly available
- -/- and -/30/30 models available (see LSD-0-C/M/HS and LSD-30-C/M/HS)



### HOW TO SPECIFY

*"Door to be a Pyropanel Life Safety Door LSD-60-C/M/HS or equally tested and certified with Pressed Metal /Fire Rated Timber\* door frames, 48mm\* thick, -/60/30 FRL, certified smoke leakage, MDF/Ply face\*, with RP78Si, PFS2003 and RP99Si\* smoke seals, and the following options: (eg, vision panels, kick panels, etc),"*

\* denotes example - delete, change or specify as required

### MORE INFORMATION

For more information on the range of Pyropanel Life Safety Doors, please refer to the Life Safety Door System Guide available for download at [www.pyropanel.com.au](http://www.pyropanel.com.au).



**Pyropanel Developments** Pty Ltd  
122-124 Beresford Rd, Lilydale, VIC, 3140  
Ph: (03) 9739 3100 Fax: (03) 9739 3115  
Email: [sales@pyropanel.com.au](mailto:sales@pyropanel.com.au)  
Web: [www.pyropanel.com.au](http://www.pyropanel.com.au)

**Distributed by:**

# LIFE SAFETY DOOR

## LSD-60-C/M/HS/EU

TECH SHEET: LSD-60-C/M/HS/EU

Issue: 02-08-2011

**Tested and Certified Fire, Smoke and Acoustic door**

### DESCRIPTION

60 minute Fire Rated Life Safety Door that has been tested and certified for fire resistance as per AS1530.4, tested and certified for smoke leakage as per AS1530.7, incorporating the Pyropanel Euroseal frame profile and high performance cold / medium smoke seals, & intumescent hot smoke seal.

### APPLICATIONS

Ideal for Apartment entry doors or anywhere that requires 60 minutes of certified fire resistance, smoke resistance and acoustic resistance.

### FEATURES

- **SMOKE RESISTANCE (SRL): COLD / MEDIUM / HOT**
- **FIRE RESISTANCE (FRL): -/60/30**
- Tested and certified to AS1530.7 for Smoke Leakage
- Tested and certified to AS1530.4 for Fire Resistance
- Some acoustically tested (filled metal or timber frame)
- 1.2mm or 1.4mm Pressed Metal Euroseal Frames, or Fire Rated Plantation Timber Frames
- 48mm and 38mm thick, Single and Pair assemblies
- Environmentally friendly non-timber core
- Fully tagged with FRL and SRL door tags
- Lighter than conventional 'solid-core' doors (leaf weight approximately 22kg/m<sup>2</sup> for 48mm thick door)
- Maximum size - Singles - 2400 x 1020mm (48mm)  
- 2040 x 820mm (38mm)  
- Pairs - 2400 x 1020mm per leaf (48mm)
- Meets the deemed to satisfy provisions for Smoke Doors found in Specification C3.4 Clause 3.2(b) of the BCA
- All pair assemblies are smoke tested with Pyropanel J-Section meeting stiles

### SEAL COMBINATIONS

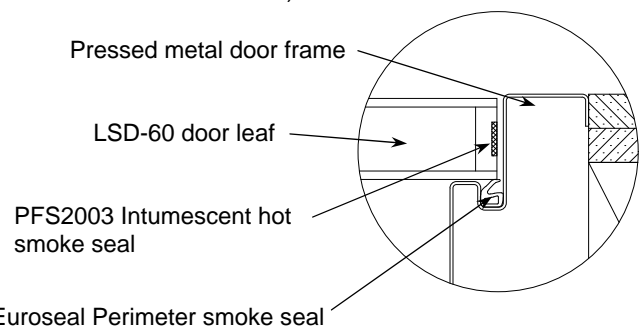
Frame Details	Leaf Thickness (mm)	Cold/Medium perimeter smoke Seal	Hot smoke seal	Bottom Seal	Smoke Leakage 2040x820 single (@10Pa)	Smoke Certificate (820 single)	Rw 48mm/38mm
Pressed metal or Fire Rated timber with Euroseal Rebate	48 or 38	Euroseal	PFS2003	RP38Si# (S)	<2m <sup>3</sup> /h	SFC40965	30 / -
Pressed metal or Fire Rated timber with Euroseal Rebate	48 or 38	Euroseal	PFS2003	RP99Si (SM)	<2m <sup>3</sup> /h	SFC40966	30 / 27
Pressed metal or Fire Rated timber with Euroseal Rebate	48 or 38	Euroseal	PFS2003	RP8Si (FM)	<2m <sup>3</sup> /h	SFC40964	30 / -
Pressed metal or Fire Rated timber with Euroseal Rebate	48	Euroseal	PFS2003	IS8090Si (S)	<2m <sup>3</sup> /h	SFC40963	30

Note:# indicates default seal combination (supplied unless other seals specified)

Bottom Seal Orientation: SM- Semi Morticed, FM- Fully Morticed, S- Surface Mounted

### OPTIONAL EXTRAS

- MDF, Ply or Laminate facings
- Solid hardwood frames
- Steel frames
- Vision panels - 300 x 200 or 600 x 100mm.
- Kick Panels of 1mm Stainless Steel to selected height
- Non-Euroseal frame profile (see LSD-60-C/M/HS)
- Pre-hung assembly available
- -/- and -/30/30 models available (see LSD-0-C/M/HS/EU and LSD-30-C/M/HS/EU)



### HOW TO SPECIFY

"Door to be a Pyropanel Life Safety Door LSD-60-C/M/HS/EU or **equally tested and certified** with Euroseal Pressed Metal /Fire Rated Timber\* door frames, 48mm\* thick, -/60/30 FRL, certified smoke leakage, MDF/Ply face\*, with Euroseal, RP38Si\* and PFS2003 smoke seals, and the following options: (eg, vision panels, kick panels, etc),"

\* denotes example - delete, change or specify as required

### MORE INFORMATION

For more information on the range of Pyropanel Life Safety Doors, please refer to the Life Safety Door System Guide available for download at [www.pyropanel.com.au](http://www.pyropanel.com.au).



**Pyropanel Developments** Pty Ltd  
122-124 Beresford Rd, Lilydale, VIC, 3140  
Ph: (03) 9739 3100 Fax: (03) 9739 3115  
Email: sales@pyropanel.com.au  
Web: www.pyropanel.com.au

**Distributed by:**