

# **Accessories System Guide**

---



# ACCESSORIES SYSTEM GUIDE

Issue: 03-08-2010

## Introduction

Complementing the extensive range of fire and special purpose products, Pyropanel offer a range of accessories and product additions that are fully tested and certified to Australian standards as well as many international standards. These accessories are used to enhance or complete the system approach that Pyropanel takes to ensure total fire protection

Pyropanel are constantly adding and improving the range of products available, so if you are unable to find a product that you are looking for, please do not hesitate to contact Pyropanel to discuss your particular requirements.

## Selection Guide

Model	Features	Tech Sheet
Fire rated air grille	Intumescent fire resistant air grille suitable for use in fire rated doors for up to 3 hours	ACC-01
Fire rated auto bolt	Latching mechanism for non-active leaf in Pyropanel fire rated door pairs	ACC-02
Fire rated intumescent smoke/fire seal	Pyropanel PFS2003 Intumescent smoke and fire seal for fire doors and hot smoke life safety doors	ACC-03
Fire rated roller latch	Latching mechanism for non active leaf in Pyropanel fire rated door pairs	ACC-04
Pyrosill seal	Fire rated floor mounted sill seal (mounted directly to floor) to reduce smoke leakage and improve acoustic performance of doorset	ACC-05
Euroseal smoke seal	Integrated smoke seals that are hidden and protected within a rebate in either timber or steel door frames. Fully tested for fire and acoustic performance, as well as smoke leakage to AS1530.7	ACC-06
Fire rated vision panels	Fire rated vision panels using various types of glass to achieve up to 4 hours of fire rating, as well as options for clear vision panels with Grade A impact rating	ACC-07
Fire rated meeting stiles	A range of meeting stiles to suit single acting and double acting fire doors for fire ratings up to 4 hours	ACC-08
Approved hardware list	A comprehensive list of hardware from various suppliers that has been tested and approved on Pyropanel fire doors	ACC-09

- Please refer to the Tech Sheet indicated for details on the particular door model required.
- Please refer to the Pyropanel Website for the latest Technical information.
- N/A indicates that this combination was not available at date of publication - please check with Pyropanel for latest approvals.
- If you do not find a product to suit your requirements, please contact Pyropanel Developments for the latest information on our comprehensive range of Passive Fire Protection Products.



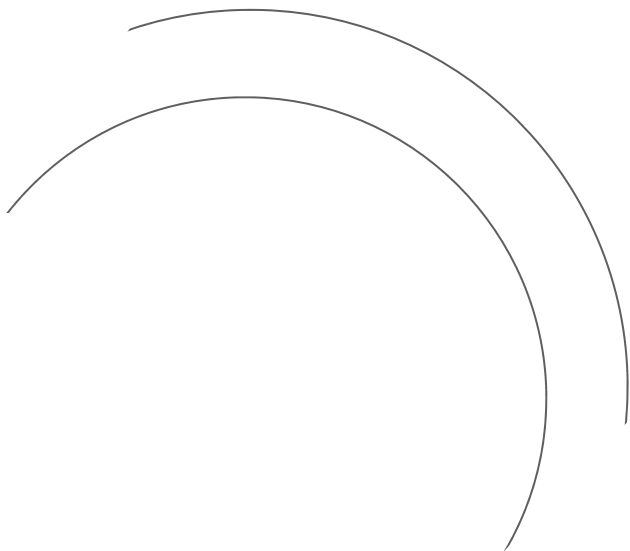
**Pyropanel Developments** Pty Ltd  
122-124 Beresford Rd, Lilydale, VIC, 3140  
Ph: (03) 9739 3100 Fax: (03) 9739 3115  
Email: sales@pyropanel.com.au  
Web: www.pyropanel.com.au

**Distributed by:**

## Availability

All Pyropanel products are available throughout Australia and various other countries through a network of licensed manufacturers and distributors. For a current contact list, please contact Pyropanel Developments or visit our website at [www.pyropanel.com.au](http://www.pyropanel.com.au).

[Pyropanel > Fire Doors > Smoke Doors > Life Safety Doors > Fire Rated Glazing > Passive Products > Special Purpose Doors](#)



PYROANEL  
DEVELOPMENTS PTY LTD

Melba Industrial Park  
122-124 Beresford Rd  
Lilydale (P O Box 559)  
Victoria, 3140, Australia

T +61 3 9739 3100  
F +61 3 9739 3115  
E [sales@pyropanel.com.au](mailto:sales@pyropanel.com.au)  
W [www.pyropanel.com.au](http://www.pyropanel.com.au)

**PYROANEL**<sup>®</sup>

# FIRE RATED AIR GRILLE

## Pyrogrille Fire Rated Air Grille

TECH SHEET: ACC-01

Issue: 03-08-2010

**Intumescent Fire Resistant air grille suitable for use in fire rated doors**

### DESCRIPTION

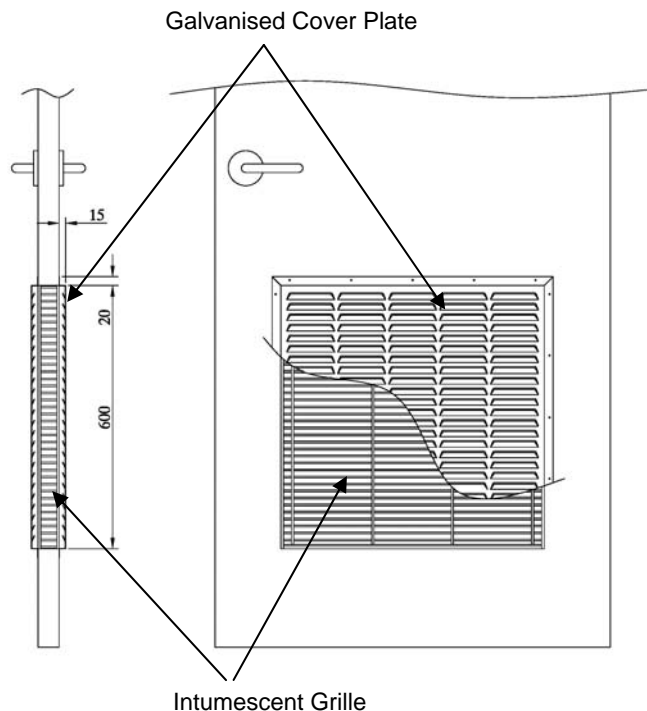
Pyropanel PYROGRILLE is an intumescent fire resistant air grille, especially designed to provide fire protection of air relief penetrations in fire doors. The intumescent material softens at high temperatures to completely seal the penetration and maintain the fire resistance level of the door or wall. Tested to AS1530.4-1997, BS476-Part 22:1987, and Annex E of SS332:2000

### APPLICATIONS

Air Flow penetrations through all types of Pyropanel Fire Rated Doors with FRL up to -/180/30. *Note: these grilles are not Fire Dampers.*

### FEATURES

- Maintains the Fire Resistance level of any Pyropanel Fire Resistant Door with an FRL of up to -/180/30
- Easy to Install
- Galvanised cover plates to each face of door
- Allows air circulation to maintain temperature control
- Reduces door closing pressure on enclosed rooms



### INSTALLATION

1. Cut penetration in door – note: penetration must be a minimum of 150mm from all door edges.
2. Insert intumescent grille into center of cavity.
3. Seal intumescent grille into penetration with Pyropanel Multiflex fire resistant sealant, ensuring any gaps around the entire perimeter of the penetration are filled with the sealant.
4. Install cover plate to both sides of door or opening.
5. Where the door thickness exceeds 70mm, two intumescent internal grilles are required, each to be installed within 5mm of the face of each side of the door

### TEST RESULTS

Up to -/180/30 for AS 1530.4-1997, BS476- Part22:1987, and Annex E of SS332:2000

### MODELS AVAILABLE

Model	Penetration opening size (H x W) (mm)	Overall size including cover (mm)
IGS300X300	300 x 300	340 x 340
IGS300X600	300 x 600	340 x 640
IGS450X450	450 x 450	490 x 490
IGS450X600	450 x 600	490 x 640
IGS600X600	600 x 600	640 x 640

### HOW TO SPECIFY

"Door to be a Pyropanel fire rated door with a Pyropanel Pyrogrille Fire rated air grille, IGS300X300"... etc,



**Pyropanel Developments Pty Ltd**  
122-124 Beresford Rd, Lilydale, VIC, 3140  
Ph: (03) 9739 3100 Fax: (03) 9739 3115  
Email: sales@pyropanel.com.au  
Web: www.pyropanel.com.au

**Distributed by:**

# ACCESSORIES

## Pyropanel Auto Latch

TECH SHEET: ACC-02

Issue: 03-08-2010

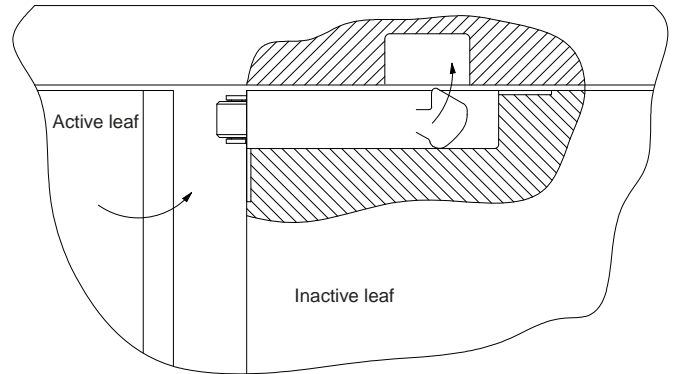
**Latching mechanism for non-active leaf in Pyropanel Fire Rated Pair Doorsets**

### DESCRIPTION

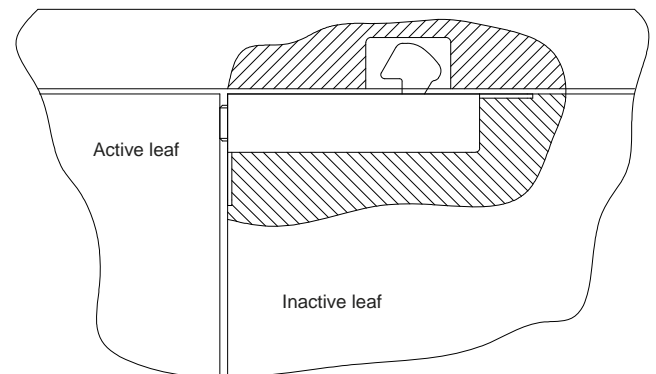
Automatic latching bolt for fire door pairs which is recessed into the head of the non active leaf, and automatically bolts the non-active leaf when the active leaf returns to the closed position.

### FEATURES

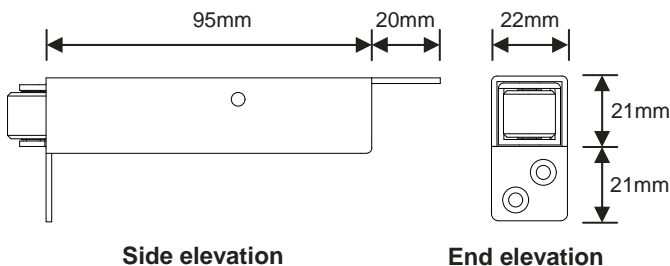
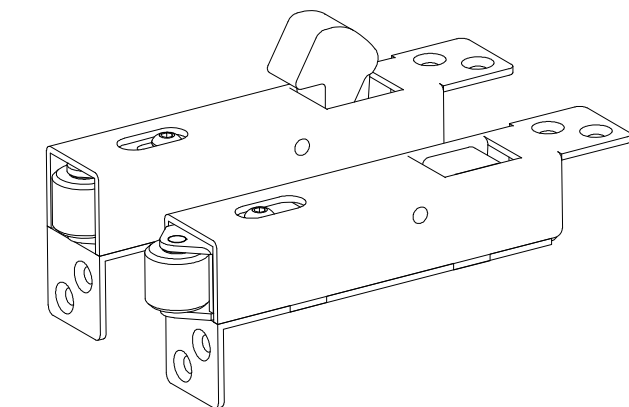
- Suitable for Pyropanel Fire Rated pair doorsets.
- Designed to securely hold the inactive leaf closed in the event of a fire scenario.
- Fire Rated up to 4 hrs.
- Fail safe.
- Manufactured in Australia.
- Easy to install.
- Head of the door frame requires a rectangular hole.



Front elevation showing disengaged Auto latch with active door leaf open



Front elevation showing engaged Auto latch after active door leaf is closed



### HOW TO SPECIFY

*"Pyropanel Fire Rated Doorset Pair to include Pyropanel Fire Rated Auto Latch to inactive leaf"...*



**Pyropanel Developments Pty Ltd**  
122-124 Beresford Rd, Lilydale, VIC, 3140  
Ph: (03) 9739 3100 Fax: (03) 9739 3115  
Email: sales@pyropanel.com.au  
Web: www.pyropanel.com.au

**Distributed by:**

### DESCRIPTION

Pyropanel PFS2003 Fire Seal is an intumescent fire and smoke seal that is activated under fire conditions to restrict the passage of hot smoke and fire. The intumescent material softens and expands at high temperatures to seal the gap between the door edge and door frame to restrict the passage of hot smoke and help maintain the fire resistance level of the door.

### APPLICATIONS

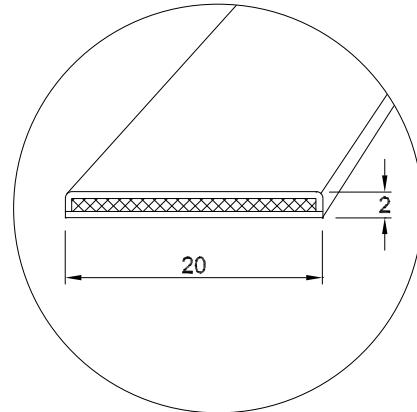
Pyropanel Fire Seals can be rebated into the head and edges of either the door leaf or timber frame.

### FEATURES

- Creates a hot smoke seal to resist both fire and smoke under fire conditions.
- Only 20mm wide X 2mm thick
- Can be used in conjunction with the Pyropanel *Life Safety door* range to upgrade the smoke resistance to Hot smoke.
- Integrated PVC cover can be painted
- Can be rebated into either the door edge and head or into a fire rated timber door frame
- Available in Red & black.

### INSTALLATION

1. Rebate 3mm x 20mm groove into door frame or edge of door leaf.
2. Apply seal to rebate using integrated self adhesive backing strip.
3. Paint as required.



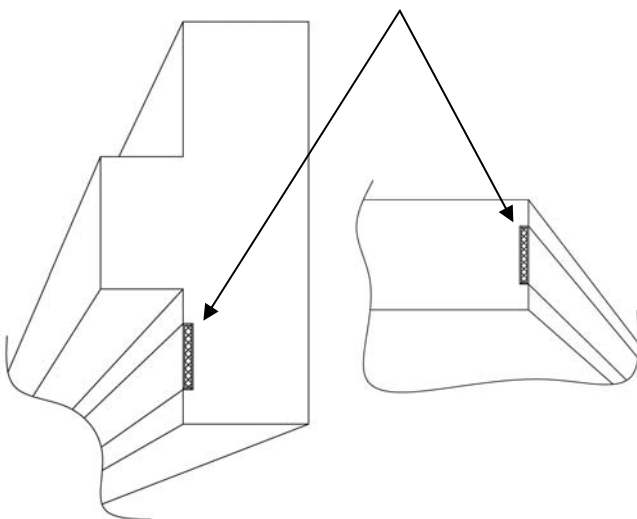
### SUITABILITY

All Pyropanel fire doors up to -/240/30

### MODELS AVAILABLE

Model	Colour	Overall Size
PFS2003-R	Red	2mm x 20mm
PFS2003-BI	Black	2mm x 20mm

Pyropanel PFS2003 Fire Seal



### HOW TO SPECIFY

*"Install Pyropanel Intumescent Fire Seal PFS2003 to the head and sides of door frame / head and edges of door leaf\*\*" ... etc,*

\* Delete as required

# FIRE RATED ACCESSORIES

## Pyropanel Roller-Latch

TECH SHEET: ACC-04

Issue: 03-08-2010

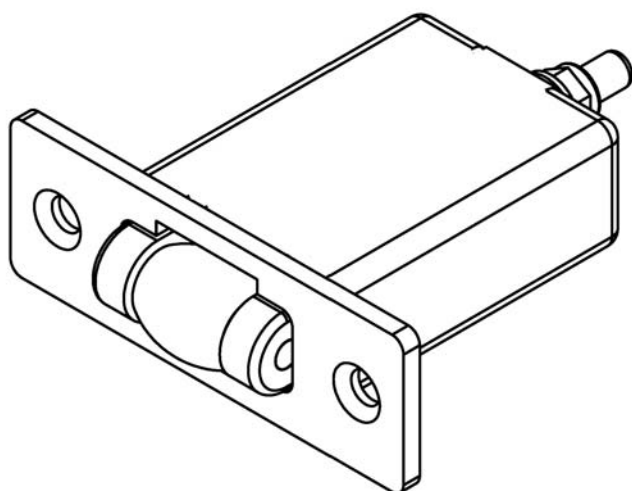
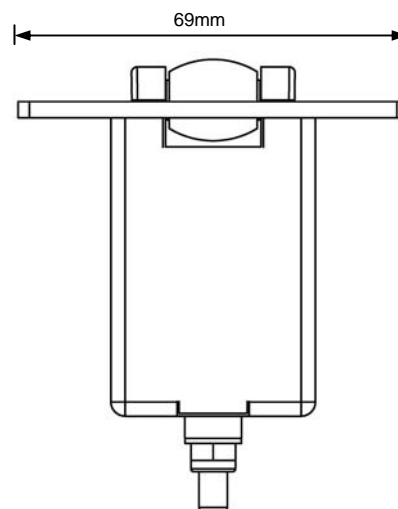
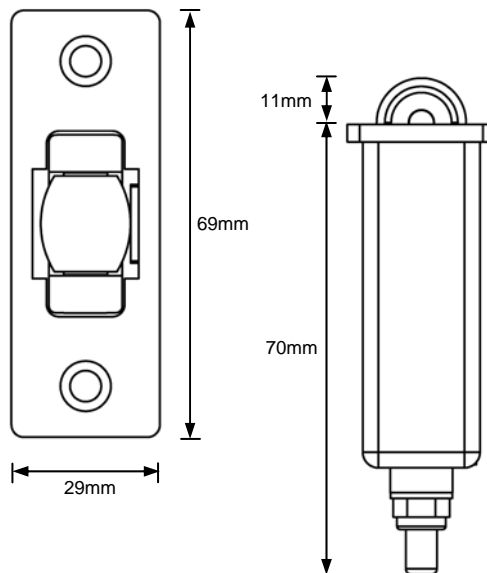
**Latching mechanism for non-active leaf in Pyropanel Fire Rated Pairs Doorsets.**

### DESCRIPTION

Fire activated 'hold-close' latch suitable for the inactive leaf in most Pyropanel Fire Rated Pair Doorset.

### APPLICATIONS / FEATURES

- Suitable for Pyropanel single action or double action Fire Rated Pair Doorsets.
- Designed to securely hold the inactive leaf closed in the event of a fire scenario
- Can be installed to the head of both leaves of a double - action pair
- Can be installed to the meeting stile of a double action pair
- Suitable for most types of Pyropanel Fire Rated Pair Doorsets
- Fire Rated up to 4 hrs
- Fail safe
- Manufactured in Australia
- Easy to install
- Must be used with custom designed single - action or double - action striker (supplied).



### HOW TO SPECIFY

*"Pyropanel Fire Rated Doorset Pair to include Pyropanel Fire Rated Roller-Latch to inactive leaf".*



**Pyropanel Developments** Pty Ltd  
122-124 Beresford Rd, Lilydale, VIC, 3140  
Ph: (03) 9739 3100 Fax: (03) 9739 3115  
Email: sales@pyropanel.com.au  
Web: www.pyropanel.com.au

**Distributed by:**

# ACCESSORIES

## Pyropanel Pyrosill

TECH SHEET: ACC-05

Issue: 03-08-2010

**Floor mounted fire rated acoustic and smoke sill seal**

### DESCRIPTION

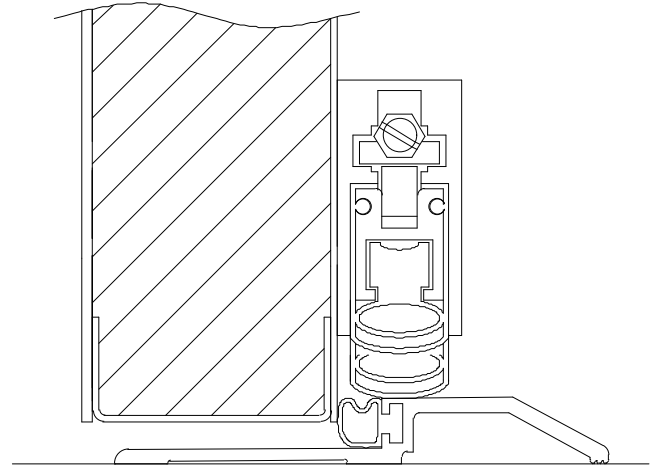
An aluminium floor mounted fire rated sill seal incorporating a silicone based seal that reduces the passage of sound and smoke.

### APPLICATIONS

Commercial and domestic applications requiring a high performance acoustic and smoke seal. Has been tested with Pyropanel Acoustic doors for up to 47RW of acoustic resistance

### FEATURES

- Slimline design - only 12.5mm high
- replaceable rubber seal
- Easy to install



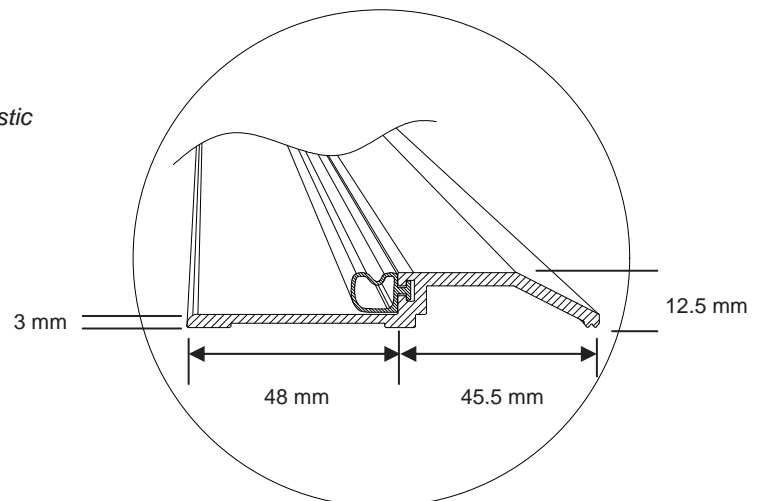
Example of Pyrosill installed at base of Pyropanel AS-47-Special acoustic door with Zero 367A, tested to 47 RW for acoustic rating

### CLEARANCES

Max clearance under door before installing Pyrosill = 8mm  
Min clearance under door before installing Pyrosill = 4mm  
Max clearance under door to Pyrosill = 5mm  
Min clearance under door to Pyrosill = 1mm

### HOW TO SPECIFY

*"Door seal to be a Pyropanel Pyrosill seal fire rated acoustic smoke seal..."*



**PYRO PANEL**  
Protecting Life & Property

**Pyropanel Developments** Pty Ltd  
122-124 Beresford Rd, Lilydale, VIC, 3140  
Ph: (03) 9739 3100 Fax: (03) 9739 3115  
Email: sales@pyropanel.com.au  
Web: www.pyropanel.com.au

**Distributed by:**

# ACCESSORIES

## Euroseal® medium temperature smoke & acoustic seal

TECH SHEET: ACC-06

Issue: 03-07-07

**Fire rated medium temperature perimeter smoke and acoustic seal, concealed into door frame**

Page 1 of 2

### DESCRIPTION

A fire rated silicone smoke seal that is concealed inside the door frame and provides protection against the transmission of ambient and medium temperature smoke, and sound.

### APPLICATIONS

Unit entry doors, fire doors, offices, schools, hotels, hostels, nursing homes, hospitals, factories or any application that requires protection against the spread of ambient or medium temperature smoke, or which requires the reduction of sound transmission.

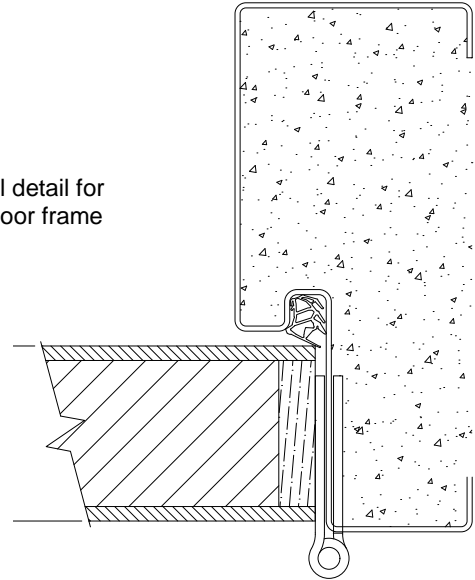
The specially designed frames (timber or steel), and are available in either fire rated or non fire rated profiles. The Euroseal holds itself in position in the door stop without the need for any adhesives and can be easily installed on site after painting of the door frame

### FEATURES

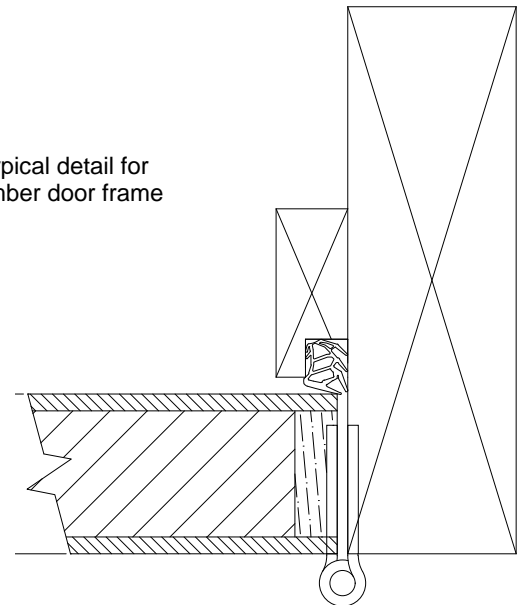
- Fully certified to Australian Standards
- Suitable for all Pyropanel fire rated doorsets up to 2 hours FRL (AS1530.4, BS 476)
- Up to 40 STC (Rw) rating
- Does not reduce clear opening width
- Extremely cost effective and durable
- Relief from slamming doors
- No adhesives required - simply pressed into the frame after painting
- Reduces medium (200°) and ambient temperature smoke transmission
- Completely concealed when door is closed
- Stops dust
- Can be easily removed, cleaned and refitted into the 10mm x 10mm rebate
- Tested and Approved for 1hour fire rated Pyropanel Life Safety Doors (certified smoke doors) with less than 2m<sup>3</sup>/h of smoke leakage on selected Life Safety Door models (Refer Life Safety door section of product manual)
- Preformed pressed metal doorframes available from all Pyropanel licensed distributors to suit a wide variety of wall types (Refer tech sheet FRAME-04 for full range of Euroseal pressed metal door frames)
- DXF files of frames available from the Pyropanel website
- See over for correct installation instructions

### OPTIONAL EXTRAS

Typical detail for steel door frame



Typical detail for timber door frame



### HOW TO SPECIFY

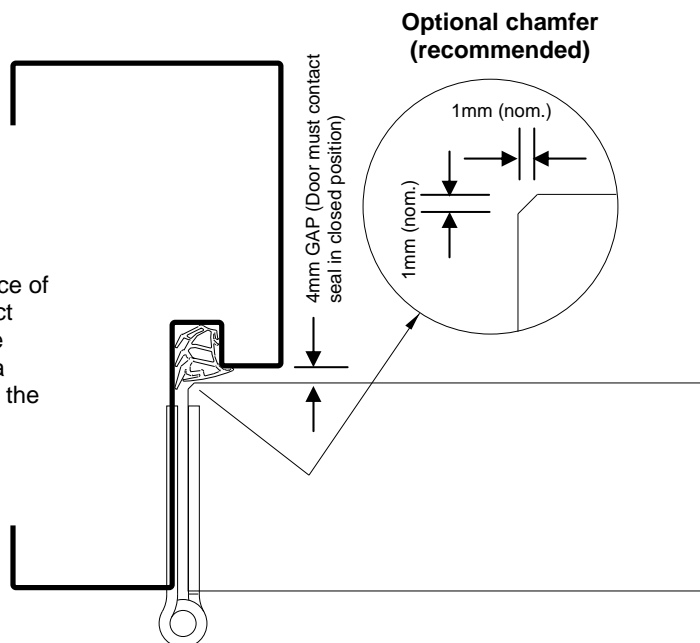
Eg, "Perimeter door seal to be a Pyropanel Euroseal® concealed medium temperature smoke and acoustic seal, installed into a pressed metal door frame / timber door frame\* to suit appropriate wall type and fire rating"

\* denotes example - delete or change or specify as required

INSTALLATION

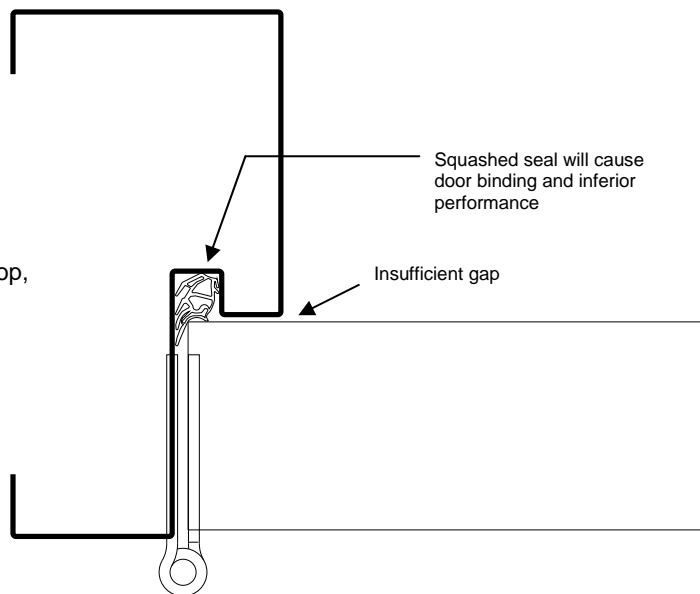
CORRECT INSTALLATION

Correct installation requires a 4mm gap between the face of the door and the door stop. This provides for the correct compression of the seal, and allows the door to operate properly. It is also possible (but not required) to apply a slight chamfer the corner of the door to further increase the performance of the seal (see insert).



INCORRECT INSTALLATION

Incorrect installation occurs where there is insufficient clearance between the face of the door and the door stop, causing too much compression of the Euroseal, which results in damage to the seal, and jamming doors.



**NOTE: Correct closer selection is important for ALL doors fitted with compression seals. (If in doubt, please contact your hardware supplier to determine suitability)**



**Pyropanel Developments** Pty Ltd  
 122-124 Beresford Rd, Lilydale, VIC, 3140  
 Ph: (03) 9739 3100 Fax: (03) 9739 3115  
 Email: sales@pyropanel.com.au  
 Web: www.pyropanel.com.au

**Distributed by:**

# ACCESSORIES

## Fire rated vision panel

TECH SHEET: ACC-07

Issue: 03-08-2010

**Fire rated vision panels suitable for up to 4 hr fire rated doors**

Page 1 of 2

### DESCRIPTION

Vision panels utilising Pilkington Pyrodur™, Georgian wired glass and Pyroceram glass, mounted in aluminium, steel or stainless steel surrounds for up to 4 hours of fire rating.

### APPLICATIONS

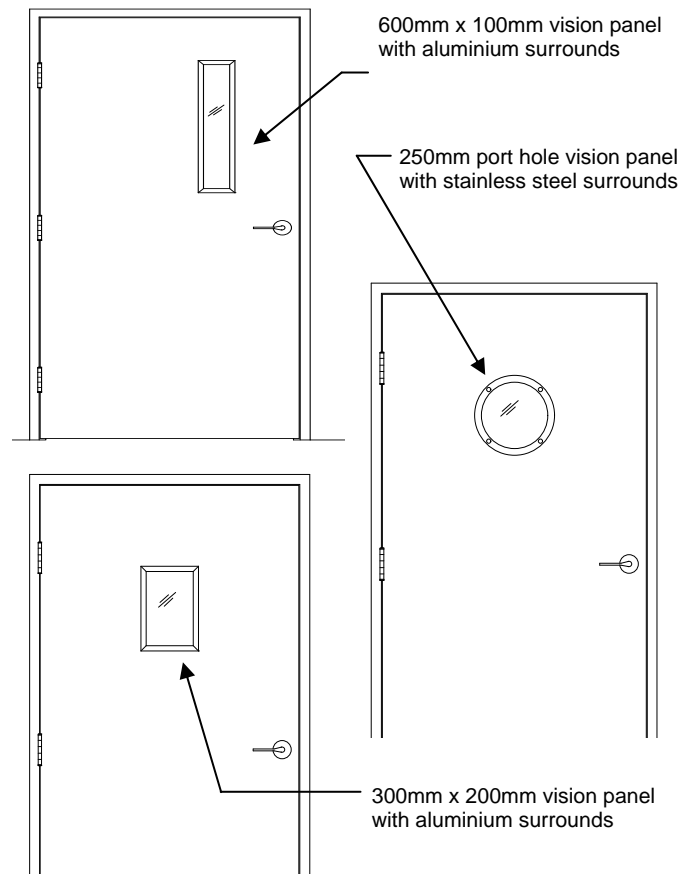
Fire doors located in car parks, factories schools, hospitals, or wherever there is a need to see through a fire door. Suitable for all Pyropanel timber and steel fire doors. *Note: Australian Standards 1530.4 and 1905.1 limit visible area for glass that has an insulation value less than 30 minutes to a maximum area 65,000mm<sup>2</sup>, when used in fire doors.*

### FEATURES

- All options fully certified to Australian Standards
- Standard sizes: 300mm x 200mm (nom), 600mm x 100mm (nom) and 250mm (nom) diameter porthole
- 13mm Pilkington Pyrodur glass
  - Perfectly clear glass
  - Grade A safety glass (AS1288)
  - 2 hr fire rating
  - Maximum 65,000mm<sup>2</sup> visible
  - Suitable for 38mm and 48mm doors
- 6mm Georgian wired glass
  - Clear in appearance
  - 10mm steel wires
  - Grade B safety glass (approved for use in doors)
  - 1 hr fire rated
  - Maximum 65,000mm<sup>2</sup> visible
  - Suitable for 38mm and 48mm doors
- 5mm Pyroceram ceramic glass
  - Slightly bronze colour in appearance
  - Non safety glass (impact film must be applied to comply with AS1288)
  - 4 hr fire rated
  - Maximum 65,000mm<sup>2</sup> visible
  - Suitable for 38mm and 48mm doors

### OPTIONAL EXTRAS

- Custom sizes available
- For vision panels greater than 65,000mm<sup>2</sup> visible area, please refer to "Glass fire doors" within the Fire Door section



### HOW TO SPECIFY

Eg, "Door to have 600 x 100mm\* Pyropanel PVP-Pyrodur\* vision panel including anodised aluminium surrounds..."

\* denotes example - delete or change or specify as required

### MODELS AVAILABLE

Continued...

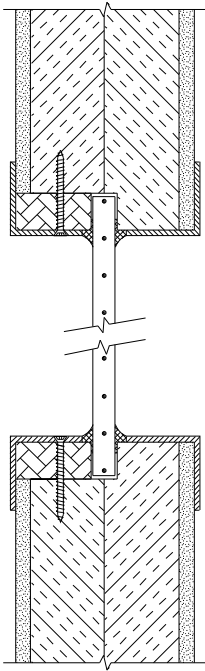
Model	Maximum fire rating	Glass	Light transmission	Thickness	Wires	Impact rated	Requires additional impact film?	Aluminium Surrounds?	Maximum Visible area
PVP-Georgian	1hr	Georgian wire	75% (approx)	6mm	Yes	Grade B	No	Yes	65,000mm <sup>2</sup>
PVP-Pyrodur	2hr	Pyrodur™	85%	13mm	No	Grade A	No	Yes	65,000mm <sup>2</sup>
PVP-Pyroceram	4hr	Pyroceram™	65% (approx)	5mm	No	No	Yes	Yes	65,000mm <sup>2</sup>



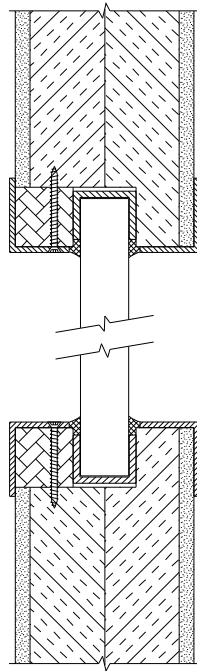
**Pyropanel Developments** Pty Ltd  
 122-124 Beresford Rd, Lilydale, VIC, 3140  
 Ph: (03) 9739 3100 Fax: (03) 9739 3115  
 Email: sales@pyropanel.com.au  
 Web: www.pyropanel.com.au

**Distributed by:**

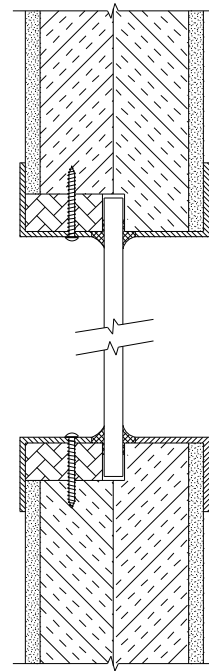
## TYPICAL SECTIONS



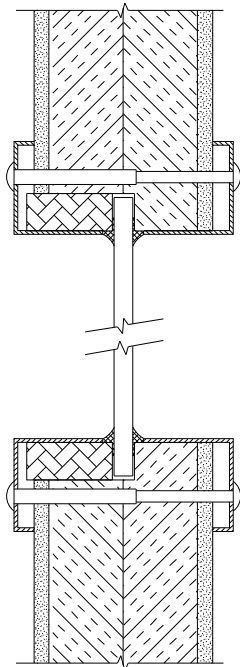
6mm Georgian wired glass vision panel (1 hr)



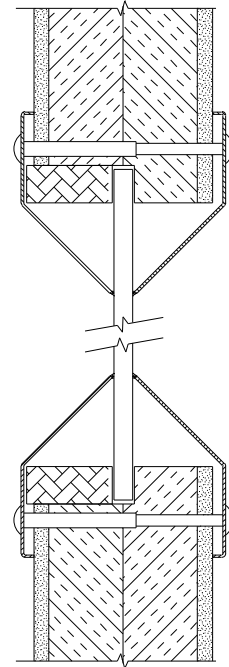
13mm Pilkington Pyrodur™ vision panel (2 hr)



5mm Pyroceram vision panel (4 hr)



Standard port hole vision panel with square edge surrounds



Optional port hole vision panel with angled edge surrounds

# ACCESSORIES

## Fire rated meeting stiles

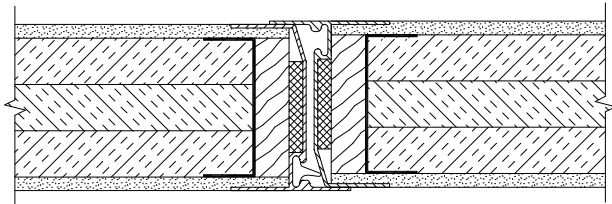
TECH SHEET: ACC-08

Issue: 08-09-06

**Fire rated meeting stiles suitable for Pyropanel fire doors for up to 4 hours of fire rating**

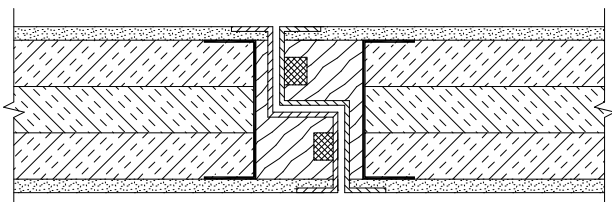
### DESCRIPTION

Fire rated meeting stiles suitable for Pyropanel fire doors for up to 4 hours of fire rating.



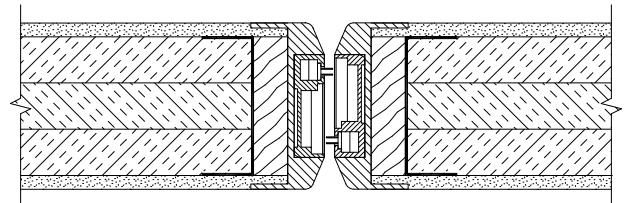
#### **Aluminium J-Section meeting stile (Up to 4 hours of fire rating)**

Standard meeting stile detail of anodised aluminium interlocking J-Section fitted to each leaf. Smoke seals to both leaves available as optional extra. Meeting stile is approved for Life Safety Doors (certified smoke doors). Active leaf should be nominated in specification when ordering.



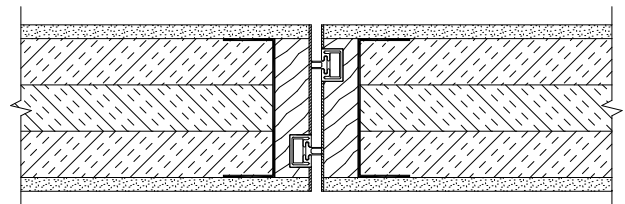
#### **Aluminium rebated meeting stile (Up to 4 hours of fire rating)**

Meeting stile detail of anodised aluminium suitable for doors with up to 4 hours of fire rating.



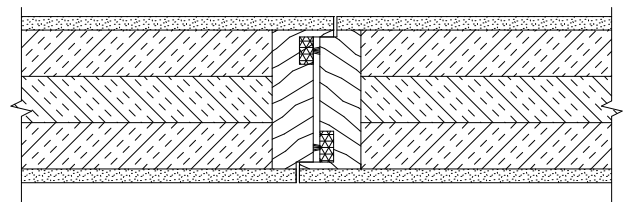
#### **Aluminium bull nosed meeting stile (Up to 3 hours of fire rating)**

Meeting stile detail of anodised aluminium suitable for single acting and double acting fire doors for up to 3 hours of fire rating. Meeting stile incorporates the Pyroseal fin seal.



#### **Square edge meeting stile (Up to 1 hour of fire rating)**

Meeting stile detail of with Raven RP76 seals and veneered edge strip to enable the meeting stiles to look like solid timber.



#### **Timber double rebated meeting stile (Up to 1 hour of fire rating)**

Timber meeting stile with double rebated detail and integrated smoke seals.

# ACCESSORIES

## List of approved hardware

TECH SHEET: ACC-09

Issue: 03-08-2010

**Comprehensive list of hardware from various suppliers that has been tested and approved on Pyropanel fire doors**

---

**The list of approved hardware for Pyropanel fire doors is currently being updated**

**Please contact your nearest Pyropanel distributor for confirmation that your desired hardware is approved for use on fire doors.**

**Please look up Pyropanel website for the contact details of the distributor in your state or please follow the link below**

**<http://www.pyropanel.com.au/en/site/Pyropanel/Distribution/Australia/>**



**Pyropanel Developments** Pty Ltd  
122-124 Beresford Rd, Lilydale, VIC, 3140  
Ph: (03) 9739 3100 Fax: (03) 9739 3115  
Email: sales@pyropanel.com.au  
www.pyropanel.com.au

**Distributed by:**